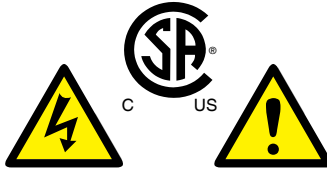


Warnings:

- * Risk of fire or electric shock.
- * **Disconnect all power before installing or servicing.**
- * Installation Instructions for qualified electricians only.
- * Install per National Electrical Code and local regulations.
- * Read Installation Instructions completely before installation.
- * Failure to follow Installation Instructions may void warranties.



THIS PRODUCT MUST BE INSTALLED IN ACCORDANCE WITH THE APPLICABLE INSTALLATION CODE BY A PERSON FAMILIAR WITH THE CONSTRUCTION AND OPERATION OF THE PRODUCT AND THE HAZARDS INVOLVED.

Butterfly Mounting (Commercial):

Step 1. Fixture comes equipped with Universal BUTTERFLY MOUNTING BRACKETS and take common 1" or 1-1/2" Black Iron or Galvanized MOUNTING CHANNELS (*Supplied By Others*).

Step 2. POSITION FIXTURE so the MOUNTING CHANNELS lie on top of ceiling runners.

Step 3. Fasten MOUNTING CHANNELS securely to the ceiling runners with wire tie downs.

Step 4. Secure MOUNTING CHANNELS to UNIVERSAL BUTTERFLY MOUNTING BRACKETS with wire tie downs.

Step 5. ADJUST ELEVATION OF FIXTURE so that the edge of the TRIM OPTION will be flush with the surface of finished ceiling by loosening the two (2) 1/4" HEX SCREWS on UNIVERSAL BUTTERFLY MOUNTING BRACKETS and set accordingly **Fig 1**.

Step 6. Tighten the HEX SCREWS on both UNIVERSAL BUTTERFLY MOUNTING BRACKETS to secure fixture **Fig 1**.

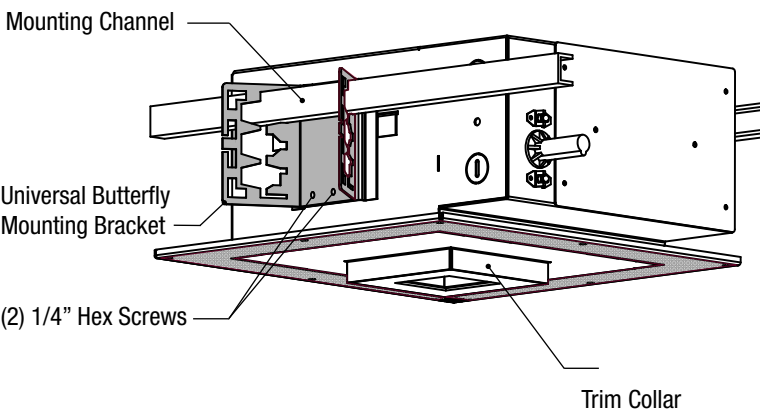


FIGURE 1

Joist Installation:

Optional HANGER BARS required for installation

Step 1. Extend HANGER BARS to fit between joist and position mounting tab tight to joist or frame member **Fig 2**. Hanger bars should be level and at a height positioned to allow for finished trim to ceiling. **See Detail 2A**.

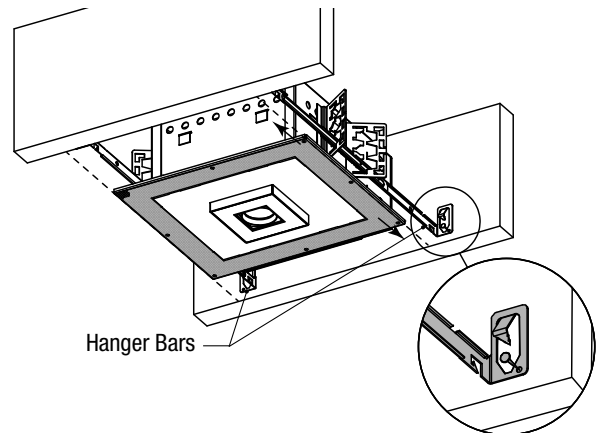


FIGURE 2

Detail 2A

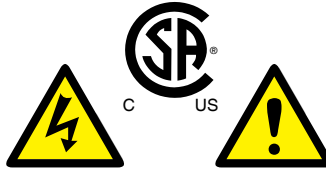
Step 2. Attach bar hangers to joist or frame member using appropriate hardware for material.

Step 3. Position housing by sliding on hanger bars. Secure housing in position using wire tie downs.

INSTALLATION INSTRUCTIONS

Warnings:

- * Risk of fire or electric shock.
- * **Disconnect all power before installing or servicing.**
- * Installation Instructions for qualified electricians only.
- * Install per National Electrical Code and local regulations.
- * Read Installation Instructions completely before installation.
- * Failure to follow Installation Instructions may void warranties.



THIS PRODUCT MUST BE INSTALLED IN ACCORDANCE WITH THE APPLICABLE INSTALLATION CODE BY A PERSON FAMILIAR WITH THE CONSTRUCTION AND OPERATION OF THE PRODUCT AND THE HAZARDS INVOLVED.

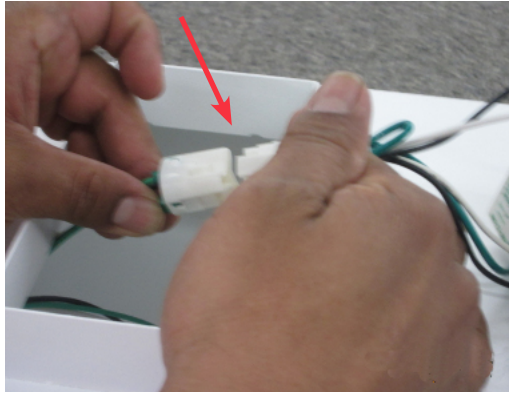


FIGURE 1

1. Connect the power supply / electrical panel using the prewired quick connects.

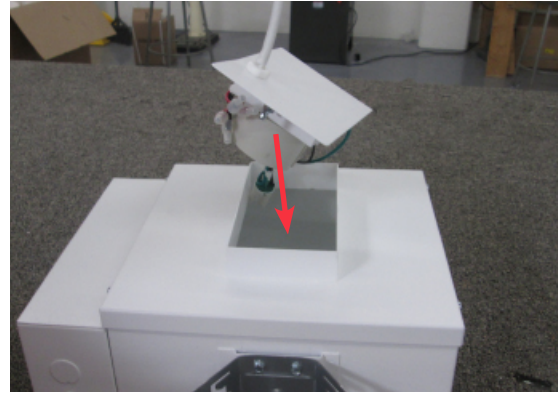


FIGURE 2

2. Insert power supply / electrical panel into housing going through the trim collar with power supply inserted into electrical compartment.



FIGURE 3

3. Snap power supply / electrical panel into place leaving only the trim quick connect line in the housing.



FIGURE 4

4. On the trim, turn torsion springs inward and slide the trim into the trim collar. Push trim into the housing to set in place.