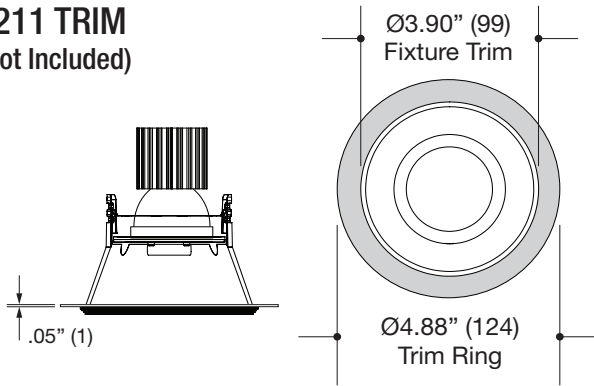
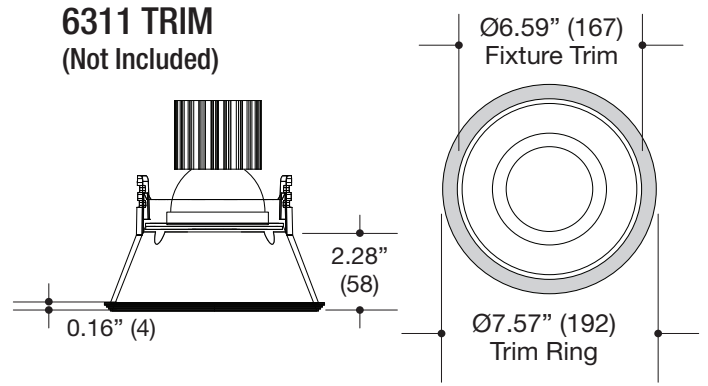


PROJECT	TYPE	CATALOG NUMBER
---------	------	----------------

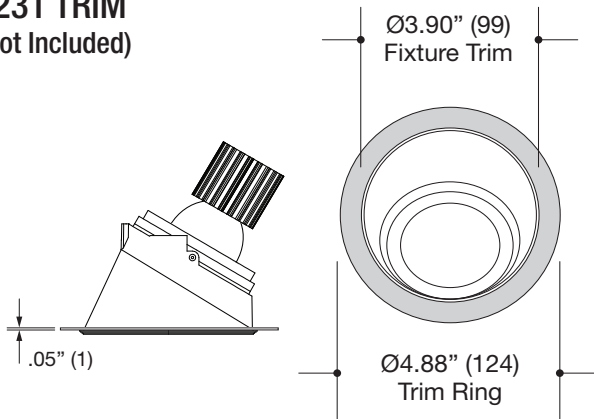
**6211 TRIM**  
(Not Included)



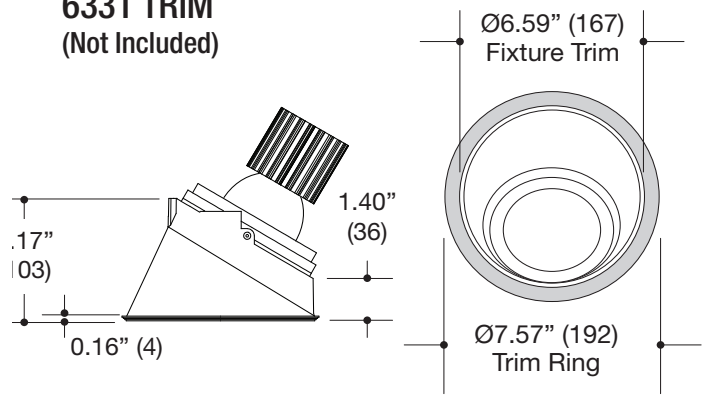
**6311 TRIM**  
(Not Included)



**6231 TRIM**  
(Not Included)



**6331 TRIM**  
(Not Included)



**MINI / SMALL HOUSING TRIMS**

**LARGE HOUSING TRIMS**

**Specifications**

**Specifications**

**ROUND MICRO-TRIM APPLICATION**

- 4.88" diameter trim ring
- .05" steel construction
- #6211 and #6231 Trim Compatible
- Powder coat finish

**ROUND MICRO-TRIM APPLICATION**

- 7.57" diameter trim ring
- .05" steel construction
- #6311 and #6331 Trim Compatible
- Powder coat finish

**ORDERING INFO**

SERIES	FINISH
<b>62X1-CVRING</b>	<b>BB</b> Black <b>WW</b> White
<b>MOLI Recessed</b> Mini / Small Round Cover Ring	

**ORDERING INFO**

SERIES	FINISH
<b>63X1-CVRING</b>	<b>BB</b> Black <b>WW</b> White
<b>MOLI Recessed</b> Large Round Cover Ring	

Ordering Example: **62X1-CVRING**

Ordering Example: **63X1-CVRING**

## Warnings:

- \* Risk of fire or electric shock.
- \* **Disconnect all power before installing or servicing.**
- \* Installation Instructions for qualified electricians only.
- \* Install per National Electrical Code and local regulations.
- \* Read Installation Instructions completely before installation.
- \* Failure to follow Installation Instructions may void warranties.



THIS PRODUCT MUST BE INSTALLED IN ACCORDANCE WITH THE APPLICABLE INSTALLATION CODE BY A PERSON FAMILIAR WITH THE CONSTRUCTION AND OPERATION OF THE PRODUCT AND THE HAZARDS INVOLVED.

## CEILING DRYWALL PREPARATION:

**STEP 1.** Per the below sizes and trim types. **PRECISELY** cut-out the correct hole in the ceiling. This fixture features a “Micro-Trim” which is a minimal trim and has a very small overlap so a precise cut-out is critical. If the ceiling is cut-out too large for the trim, then joint compound/mud may be used to reduce the hole size to the correct dimension. Alternatively flange rings are available (*See back page*).



**6211-1AA-T (Mini)**      **CUT-OUT: 3.83” (97.28mm)**  
**6211-1BA-T (Small)**



**6311-1DN-T (Large)**      **CUT-OUT: 6.25” (158.75mm)**



**6231-1AA-T (Mini)**      **CUT-OUT: 3.83” (97.28mm)**  
**6231-1BA-T (Small)**



**6331-1DN-T (Large)**      **CUT-OUT: 6.25” (158.75mm)**