

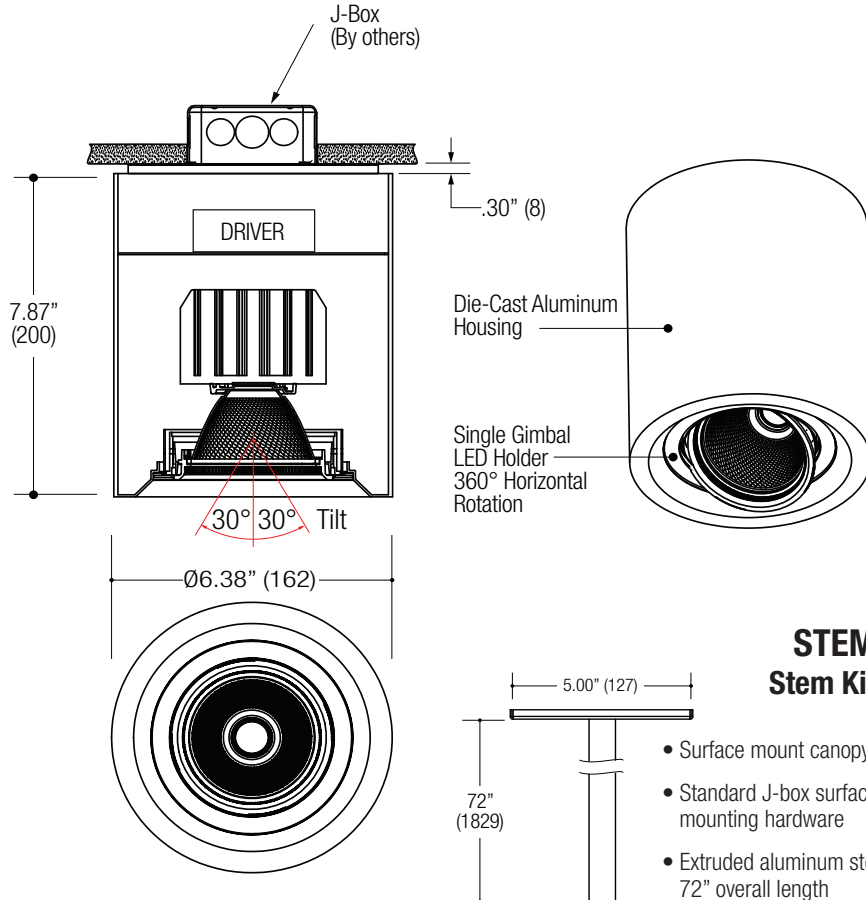
LED

INTEGRAL DRIVER

MEDIUM

PROJECT	TYPE	CATALOG NUMBER
---------	------	----------------

Measurements in () are metric equivalents.



Specifications

ROUND HOUSING

- Single downlight accent fixture / medium size
- Die-cast aluminum housing
- Single gimbal lamp holder
- 360° horizontal rotation
- 30° x 30° tilt aiming

LED SOURCE

- CREE / ValuDIM™ Warm dimming
- Field-replaceable integral LED module
- Field-changeable optics

ELECTRICAL

- Field accessible junction box wiring and power supply enclosure, access from below
- Integral thermal protection
- Easy maintenance access
- Optional dimming

MOUNTING

- Directly to junction box

LABELS

- Suitable for damp location



STEM Stem Kit

- Surface mount canopy
- Standard J-box surface mounting hardware
- Extruded aluminum stem 72" overall length
- Field cuttable

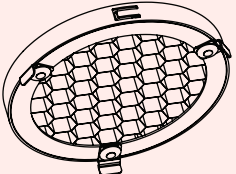
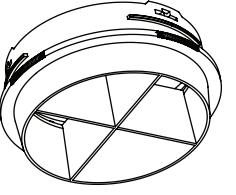
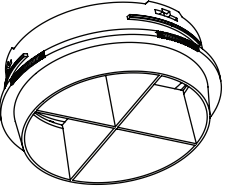
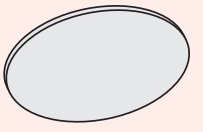
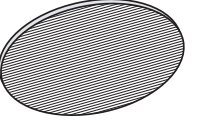
5 YEAR WARRANTY
Limited



ORDERING INFO

SERIES	WATTAGE	CRI / COLOR	BEAM	DRIVER	FINISH	MOUNTING	OPTIONS
MSGRP-C MAGGIE SHORT CYLINDER Medium Single Gimbal	13C 13W LED 1322 lm del.	8027 80CRI / 2700K 8030 80CRI / 3000K 8035 80CRI / 3500K 8040 80CRI / 4000K 9227 92CRI / 2700K 9230 92CRI / 3000K 9235 92CRI / 3500K 9240 92CRI / 4000K	N Narrow 13° M Medium 22° W Wide 30° V Very Wide 50°	DMU Dimming Multiple Forward/Reverse Phase (@ 120V only) 0-10V Wires Present (@ 120-277V) D31 Lutron Hi-lume™ Forward Phase 1% (@ 120V only) DEU Lutron Hi-lume™ EcoSystem™ 1% with Soft-On, Fade-to-Black™ 1% (@ 120-277V only) DPU Lutron Hi-lume™ Premier™ 19w max. 0.1% with Soft-On, Fade-to-Black™ (@ 120-277V only)	BB Black WW White	<i>Leave blank for Surface Mount</i> STEM Stem Kit (extruded stem)	<i>For Emergency LED Inverter Options See Page 3</i>
	19C 19W LED 1900 lm del.	26C 26W LED 2555 lm del.					
	Delivered @ 80CRI / 3000K Narrow Beam						
	ValuDIM™ 15V 15W LED / 874lm del. / 3000-1800K Warm Dimming Delivered @ 92CRI / 3000K Narrow Beam	9220 92CRI / 3000-1800K Warm Dimming (ValuDIM Only)					
MSGRP-C							

Ordering Example: **MSGRP-C-13C-9230-W-DMU-BB-STEM**

OPTICAL ACCESSORY	DESCRIPTION	MAGRP-B
	Hex Cell Louver - Black	OPT-EF208B-HXL Ø2.00" (51mm) nom.
	Snoot with Cross Baffle White	OPT-EF208B-CBWW Ø2.56" (65mm) nom.
	Snoot with Cross Baffle Black	OPT-EF208B-CBBB Ø2.56" (65mm) nom.
	Diffused Lens	OPT-EF208B-P-DFL
	Linear Spread Lens	OPT-EF208B-P-LSL

LED

ELV

MLV

PROJECT

TYPE

CATALOG NUMBER

The emergency inverter provides full power up to its load rating for no less than 90 minutes as prescribed by UL 924 Listed for US and Canada & CSA C22 No. 141 Unit Equipment for Emergency Lighting.

The inverter is installed remotely, behind an access panel or with above ceiling access required (behind grid ceilings are also acceptable). The inverter is not accessible through the fixture opening in the ceiling. The inverters are rated for 120-277V and will work for LED, ELV, MLV, incandescent & fluorescent loads.

The inverter is paired for the connected load wattage of the light source(s).

25W



If the load rating requirement is 25W (or less) then we recommend **LF #EMREM25**

- IOTA #IIS-25-I:** <http://www.iotaengineering.com/iis25.htm>
- Instructions:** http://iotaengineering.com/Inverter/iis25_manual.pdf
- Wiring Diagram:** <http://iotaengineering.com/diagrams/ad10.pdf>

35W



If the load rating requirement is 25-35W then we recommend **LF #EMREM35**

- IOTA #IIS-35-I:** http://iotaengineering.com/Inverter/iis35_spec.pdf
- Instructions:** http://iotaengineering.com/Inverter/iis35_manual.pdf
- Wiring Diagram:** <http://iotaengineering.com/diagrams/ad10.pdf>

50W



If the load rating requirement is 35-50W then we recommend **LF #EMREM50**

- IOTA #IIS-50-I:** http://iotaengineering.com/Inverter/iis50_spec.pdf
- Instructions:** http://iotaengineering.com/Inverter/iis50_manual.pdf
- Wiring Diagram:** <http://iotaengineering.com/diagrams/ad10.pdf>

Consult LF Illumination for higher wattage inverter offerings.