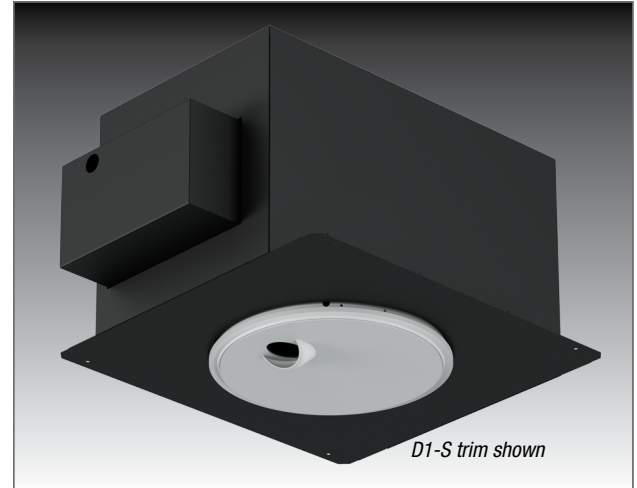
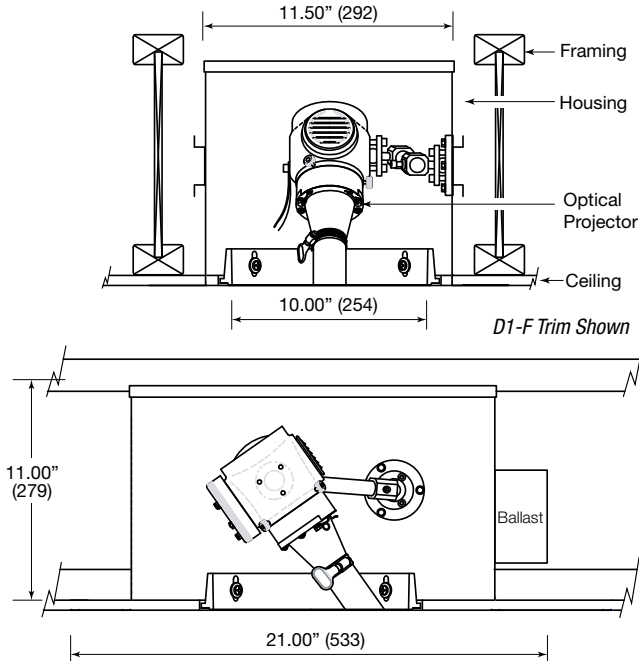


PROJECT	TYPE	CATALOG NUMBER
---------	------	----------------

Measurements in ( ) are metric equivalents.



The MerlinLight® recessed framing projector is a specialized lighting system that has been enhancing fine art collections, sculptures and prized furnishings worldwide.

### OPTICAL PROJECTOR

- All cast aluminum body
- Gimbal mount and strap
- Black anodized finish
- Installation by certified technician
- Objective lens selected by technician

### RECESSED HOUSING

- 20 Gauge steel construction
- Non-Insulation contact
- Non-Air-tight
- Powder coat finish

### LAMPS 3000K G12 Base (not included)

- 39W CMH - non dimmable
- 70W CMH - 50% dimmable
- 150W CMH - 50% dimmable
- Halogen available (consult factory)



### ELECTRICAL

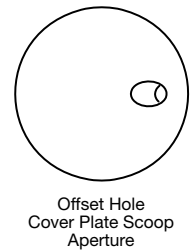
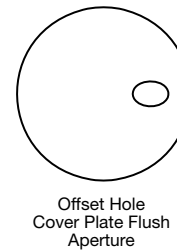
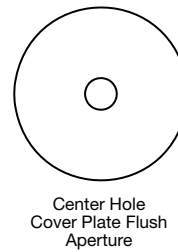
- Integral metal halide ballast
- Electrical wiring compartment integrated into housing construction
- Thermal protection
- Universal 120/277 VAC
- Dimmable, 0-10V dimming (39W non-dimmable)

### TRIM

- **D1** Cast aluminum mud ring for Plaster or Drywall ceiling installation, 10" flush white primer cover plate with flush offset or scoop aperture
- **D2** Cast aluminum mud ring for Plaster or Drywall ceiling installation, 10" flush white primer cover plate with flush center hole
- **D3** Adjustable steel collar for Wood, Drop, Thick Ceiling or T-Bar installation, 12" overlapping white primer cover plate with flush offset or scoop aperture
- **D4** Adjustable steel collar for Wood, Drop, Thick Ceiling or T-Bar installation, 12" overlapping white primer cover plate with flush center hole

### ORDERING INFO

SERIES	WATTAGE	TRIM
<b>ML</b>	<b>39C</b> 39W CMH* <b>70C</b> 70W CMH <b>150C</b> 150W CMH	<b>D1</b> Cast mud ring, 10" Cover plate Offset Hole, Flush or Scoop Aperture* <b>D2</b> Cast mud ring, 10" Cover plate Center Hole <b>D3</b> Steel collar, 12" Overlap Cover plate Offset Hole, Flush or Scoop Aperture* <b>D4</b> Steel collar, 12" Overlap Cover plate Center Hole
<b>MERLIN LIGHT</b> Recessed Standard Housing Framing Projector	* Non-dimmable	* Add "F" to trim for Flush Aperture Add "S" to trim for Scoop Aperture



Ordering Example: **ML-39C-D1-S**