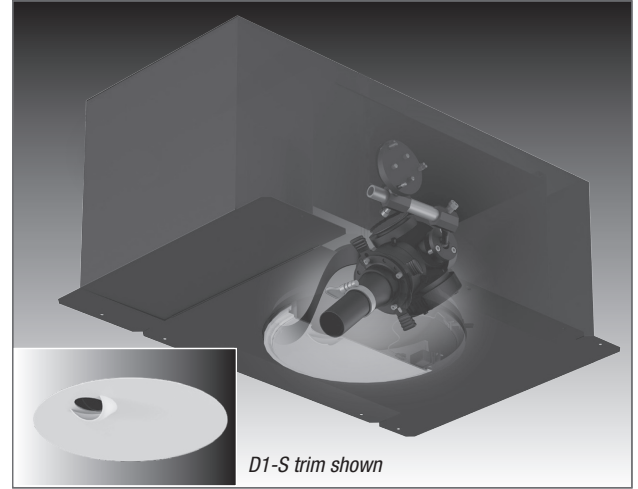
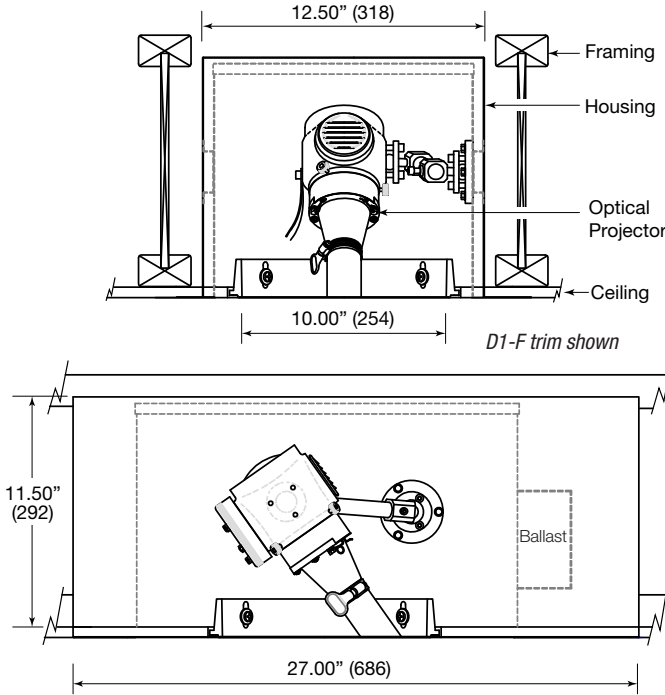


PROJECT	TYPE	CATALOG NUMBER
---------	------	----------------

Measurements in () are metric equivalents.



The MerlinLight® recessed framing projector is a specialized lighting system that has been enhancing fine art collections, sculptures and prized furnishings worldwide.

OPTICAL PROJECTOR

- All cast aluminum body
- Gimbal mount and strap
- Black anodized finish
- Installation by certified technician
- Objective lens selected by technician

RECESSED HOUSING

- 20 Gauge steel construction
- Insulation Contact and Air-Tight rated UL 1598 and ASTM E283-04
- Powder coat finish

LAMPS 3000K G12 Base (not included)

- 39W CMH - non dimmable
- 70W CMH - 50% dimmable
- Halogen available (consult factory)



ELECTRICAL

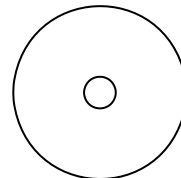
- Integral metal halide ballast
- Electrical wiring compartment integrated into housing construction
- Thermal protection
- Universal 120/277 VAC
- Dimmable, 0-10V dimming (39W non-dimmable)

TRIM

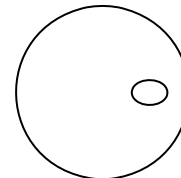
- **D1** Cast aluminum mud ring for Plaster or Drywall ceiling installation, 10" flush white primer cover plate with flush offset or scoop aperture
- **D2** Cast aluminum mud ring for Plaster or Drywall ceiling installation, 10" flush white primer cover plate with flush center hole
- **D3** Adjustable steel collar for Wood, Drop, Thick Ceiling or T-Bar installation, 12" overlapping white primer cover plate with flush offset or scoop aperture
- **D4** Adjustable steel collar for Wood, Drop, Thick Ceiling or T-Bar installation, 12" overlapping white primer cover plate with flush center hole

LABELS

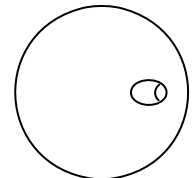
- IC rated / Air-Tight



Center Hole
Cover Plate Flush
Aperture



Offset Hole
Cover Plate Flush
Aperture



Offset Hole
Cover Plate Scoop
Aperture

Scoop

ORDERING INFO

SERIES	WATTAGE	TRIM
ML-AT	39C 39W CMH* 70C 70W CMH	D1 Cast mud ring, 10" Cover plate Offset Hole, Flush or Scoop Aperture* D2 Cast mud ring, 10" Cover plate Center Hole D3 Steel collar, 12" Overlap Cover plate Offset Hole, Flush or Scoop Aperture* D4 Steel collar, 12" Overlap Cover plate Center Hole
MERLIN LIGHT Recessed Standard Housing Framing Projector	* Non-dimmable	* Add "F" to trim for Flush Aperture Add "S" to trim for Scoop Aperture

Ordering Example: **ML-AT-39C-D1-S**