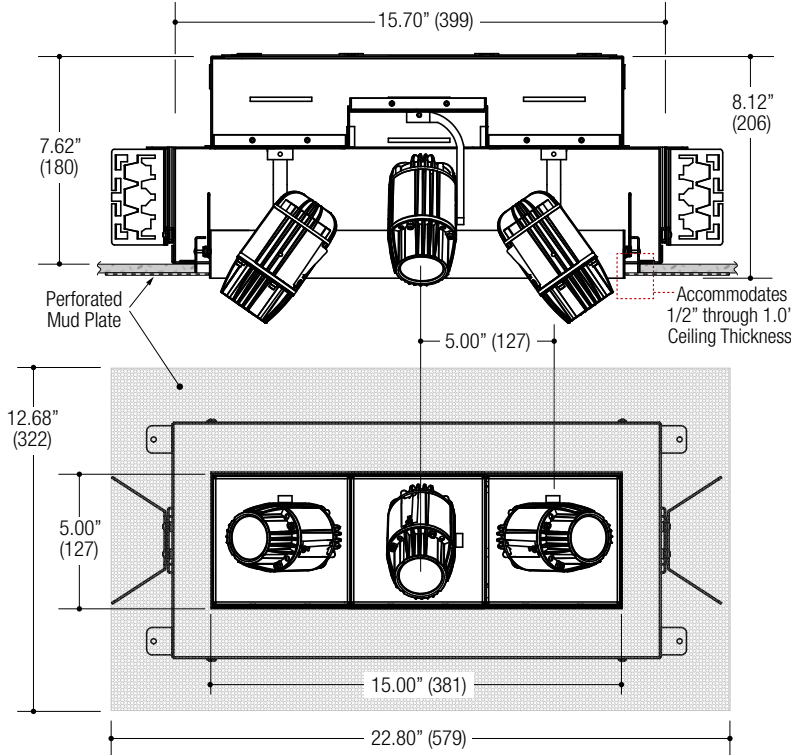
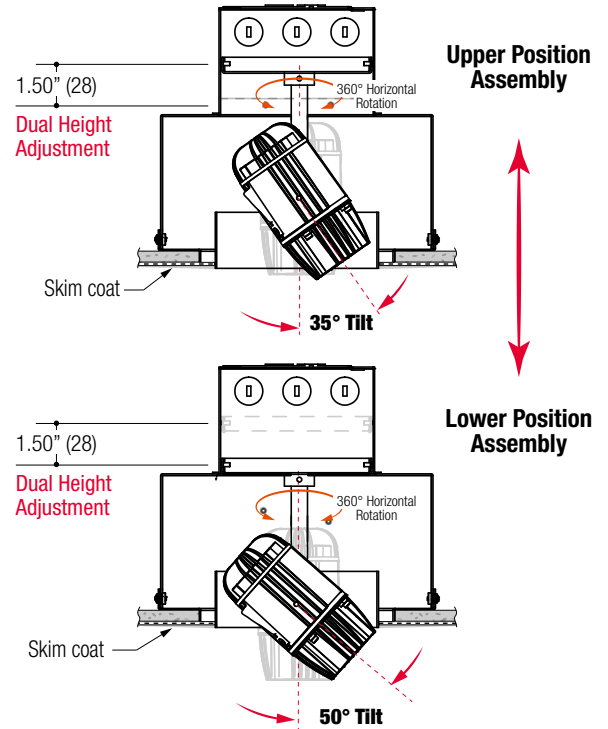


PROJECT	TYPE	CATALOG NUMBER
---------	------	----------------

Measurements in () are metric equivalents.



17Watts / 1280 Lumens



DESCRIPTION

- Three light recessed accent / downlight - small size
- All steel 18GA construction with powder coat finish
- 5.00" x 15.00" open aperture
- **Ceiling Cut-Out - 6.20" X 16.25"**

LED SOURCE

- CREE**
- 17W / 1280lm, 80CRI min / 4000K
- PHILIPS - CRISP WHITE**
- 17W / 880lm, 90CRI / 3000K
- Field replaceable optics, 15°, 24°, 35° and 51° distribution
- 4 selectable light levels via push button
- 360° horizontal rotation with variable tilt
- Dual (2) height adjustments / 2 max. tilt options
- Will accept 1 additional media accessory

ELECTRICAL

- Fully integral LED driver
- Electrical wiring compartment integrated into housing construction
- Thermal protection
- Easy maintenance access through ceiling opening
- Rated for through-branch wiring
- Phase dimmable power supply

MOUNTING

- Butterfly brackets for commercial installation in drywall and other mud-in ceiling types
- Continuously variable - adjusts for 1/2" through 1.0" ceilings

LABELS

- Suitable for damp location

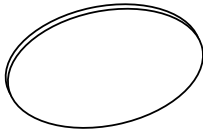
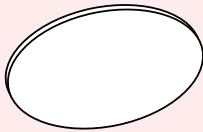
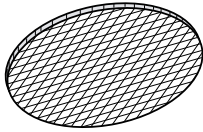
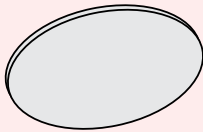
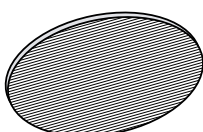
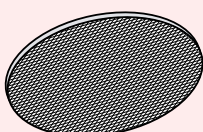
5 YEAR WARRANTY
Limited



ORDERING INFO

SERIES	WATTAGE	CRI / COLOR	BEAM	POWER SUPPLY	VOLTAGE	FINISH
MF53BN-S	17C 17W LED 1280 lm nom.	8027 80CRI / 2700K 8030 80CRI / 3000K 8035 80CRI / 3500K 8040 80CRI / 4000K 9527 95CRI / 2700K 9530 95CRI / 3000K	N Narrow 15° M Medium 24° W Wide 35° V Very wide 51°	D1 Reverse Phase Dimming (120V only) D2 0-10V Dimming Driver	1 120V U 120-277V	BB Black WW White SS Silver
MULTIFORMS MF500 Series Recessed 3-Light Trackhead Style Adjustable Accent Trimless Insert New Construction Housing	17W 17W LED 880lm nom. Crisp White	9030 90CRI / 3000K				

Ordering Example: **MF53BN-S-17C-8030-N-D1-1-BB**

OPTICAL ACCESSORY	DESCRIPTION	LIGHT SOURCE
		MINI / SMALL
		<ul style="list-style-type: none"> • MR16 • CMHMR16 • 50mm LED
	Clear Lens	OPTB-CLR Ø2.00" (51mm) nom.
	Clear Lens - LED Film	OPTB-L-CLR Ø2.00" (51mm) nom.
	UV Lens	OPTB-UVL Ø2.00" (51mm) nom.
	Hex Cell Louver	OPTB-HXL Ø2.00" (51mm) nom.
	Diffusion Lens	OPTB-DFL Ø2.00" (51mm) nom.
	Diffusion Lens - LED Film	OPTB-L-DFL Ø2.00" (51mm) nom.
	Linear Spread Lens	OPTB-LSL Ø2.00" (51mm) nom.
	Linear Spread Lens - LED Film	OPTB-L-LSL Ø2.00" (51mm) nom.
	Prismatic Spread Lens	OPTB-PSL Ø2.00" (51mm) nom.

* Other filters, colored glass, dichroics & micro-lenses available upon request