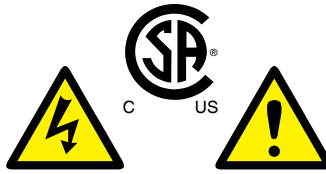
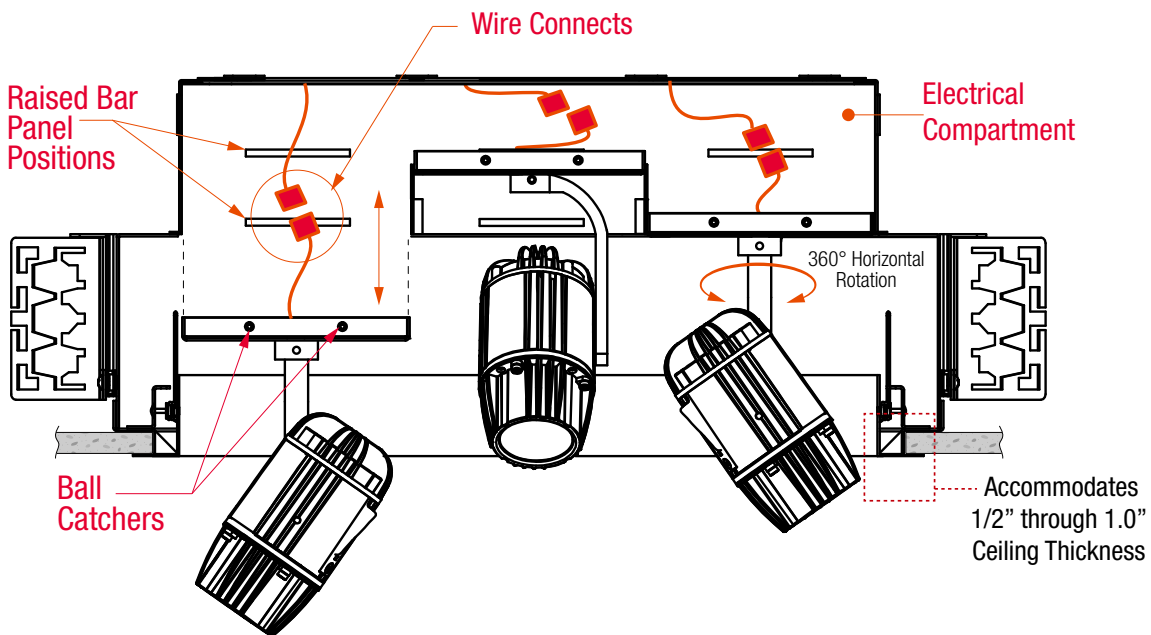


Warnings:

- * Risk of fire or electric shock.
- * Disconnect all power before installing or servicing.
- * Installation Instructions for qualified electricians only.
- * Install per National Electrical Code and local regulations.
- * Read Installation Instructions completely before installation.
- * Failure to follow Installation Instructions may void warranties.



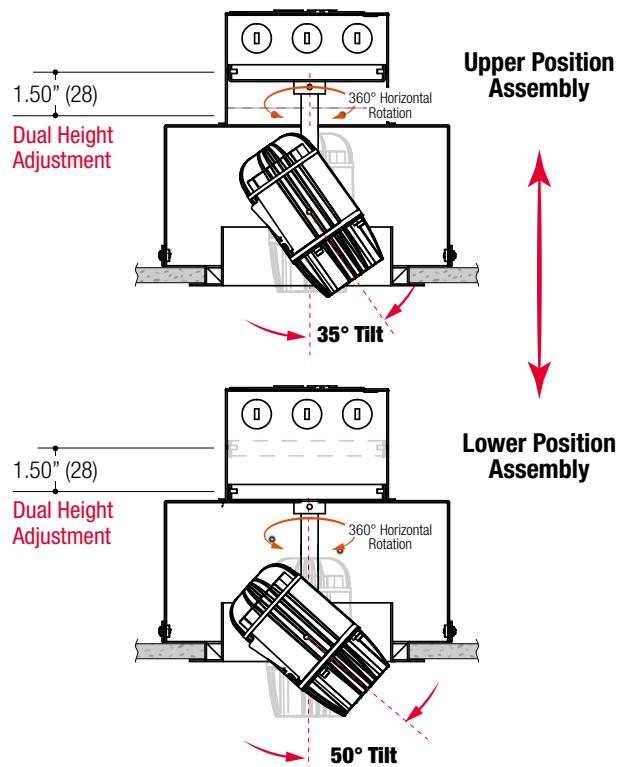
THIS PRODUCT MUST BE INSTALLED IN ACCORDANCE WITH THE APPLICABLE INSTALLATION CODE BY A PERSON FAMILIAR WITH THE CONSTRUCTION AND OPERATION OF THE PRODUCT AND THE HAZARDS INVOLVED.



ADJUSTABLE FIXTURE INSERTS:

- Step 1.** Connect safety cable on each individual fixture insert.
- Step 2.** Use wire connects from power supply lead to fixture.
- Step 3.** Fixture(s) can be installed in two (2) positions. BE AWARE OF THE SPRING LOADED BALL CATCH POSITION.
- Step 4.** The BALL CATCHES SHOULD BE ORIENTED to insert into the housing on the raised bar panel side.
- Step 5.** Raise the fixture plate into the housing to the desired height position until you feel the ball catches slip into place.

NOTE: ALL WORK MUST BE DONE WITH CIRCUIT OFF AND TRIM SHOULD NOT BE INSTALLED WHEN FIXTURE IS ENERGIZED.



Warnings:

- * Risk of fire or electric shock.
- * Disconnect all power before installing or servicing.
- * Installation Instructions for qualified electricians only.
- * Install per National Electrical Code and local regulations.
- * Read Installation Instructions completely before installation.
- * Failure to follow Installation Instructions may void warranties.



THIS PRODUCT MUST BE INSTALLED IN ACCORDANCE WITH THE APPLICABLE INSTALLATION CODE BY A PERSON FAMILIAR WITH THE CONSTRUCTION AND OPERATION OF THE PRODUCT AND THE HAZARDS INVOLVED.

Butterfly Mounting (Commercial):

Step 1. Fixture comes equipped with Universal BUTTERFLY MOUNTING BRACKETS and take common 1" or 1-1/2" Black Iron or Galvanized MOUNTING CHANNELS (Supplied By Others).

Step 2. POSITION FIXTURE so the MOUNTING CHANNELS lie on top of ceiling runners.

Step 3. Fasten MOUNTING CHANNELS securely to the ceiling runners with wire tie downs.

Step 4. Secure MOUNTING CHANNELS to the UNIVERSAL BUTTERFLY MOUNTING BRACKETS with wire tie downs.

Step 5. ADJUST ELEVATION OF FIXTURE so that the BOTTOM EDGE OF THE COLLAR ALIGNS FLUSH (or within 3/4" ABOVE) finished ceiling surface.

Step 6. Fine adjustments can be made by loosening the two (2) 1/4" HEX SCREWS on both UNIVERSAL BUTTERFLY MOUNTING BRACKETS and set collar depth accordingly **Fig 1.**

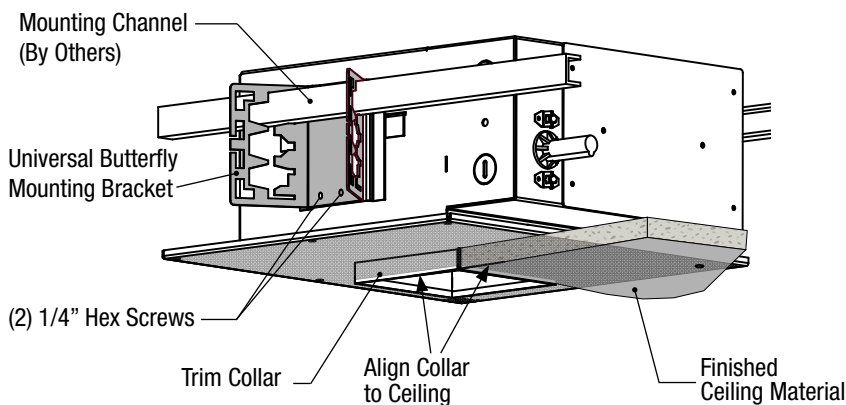


FIGURE 1

Joist Installation:

HANGER BARS required for installation. (Supplied)

Step 1. Extend HANGER BARS to fit between joist and attach to joist or frame member using appropriate hardware for material. **See Fig 2, Detail 2A.**

Step 2. ADJUST ELEVATION OF FIXTURE so that the BOTTOM EDGE OF THE COLLAR ALIGNS FLUSH (or within 3/4" ABOVE) finished ceiling surface.

Step 3. Position housing horizontally by sliding on hanger bars. Secure housing in position using wire tie downs.

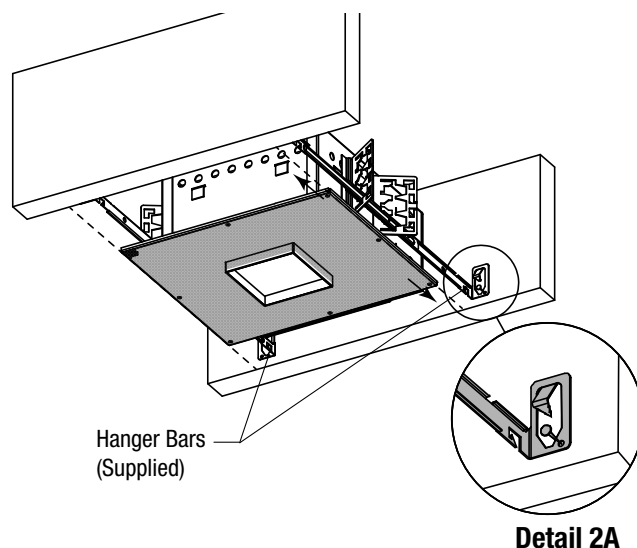


FIGURE 2

Warnings:

- * Risk of fire or electric shock.
- * Disconnect all power before installing or servicing.
- * Installation Instructions for qualified electricians only.
- * Install per National Electrical Code and local regulations.
- * Read Installation Instructions completely before installation.
- * Failure to follow Installation Instructions may void warranties.



THIS PRODUCT MUST BE INSTALLED IN ACCORDANCE WITH THE APPLICABLE INSTALLATION CODE BY A PERSON FAMILIAR WITH THE CONSTRUCTION AND OPERATION OF THE PRODUCT AND THE HAZARDS INVOLVED.

ELECTRICAL CONNECTION:

The housing features an easy access junction box for simplified field wiring installation.

DO NOT modify the factory wiring settings as it may cause the luminaire to malfunction.

Notes: The junction box will accept 3/4" trade size fittings. Review fixture labeling to make sure it is rated for the voltage installation being used. **Make sure no bare wires are exposed outside wire nut connectors.**

Step 1. Provide electrical service according to the "National Electrical Code" or your local electrical regulations from a suitable junction box. Supply wire insulation must be rated for at least 90°C.

Step 2. Remove junction box cover **Fig 3**.

Step 3. Remove appropriate round knockout and connect conduit to junction box with proper connector (*not included*).

Step 4. 120V or 277V AC Supply: Connect white to white, black to black and green (*from electrical service*) to the green copper wire located in the junction box.

Step 5. Place all connections and excess wiring into the junction box and replace cover **Fig 3**.

ELECTRICAL
COMPARTMENT

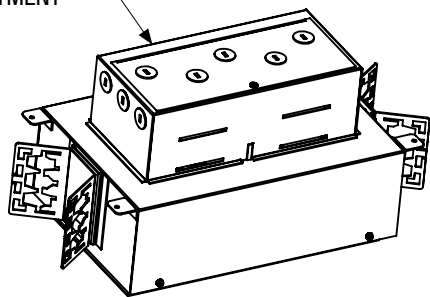


FIGURE 3

TRIMLESS FIXTURE CEILING MATERIAL INSTALLATION:

Step 1. A clean aperture opening in the CEILING MATERIAL must be cut. Install the ceiling material below housing as seen in **Fig 4**.

Step 2. Place the TRIMLESS INSERT into the HOUSING by pushing until flush with the CEILING MATERIAL as seen in **Fig 4**. Using the OUTER HOLES on the TRIMLESS INSERT, screw the TRIMLESS INSERT into the DRYWALL USING DRYWALL SCREWS.

3. Smooth out MUDDING COMPOUND / TAPE from around aperture to surrounding areas of DRYWALL as seen in **Fig 4**.

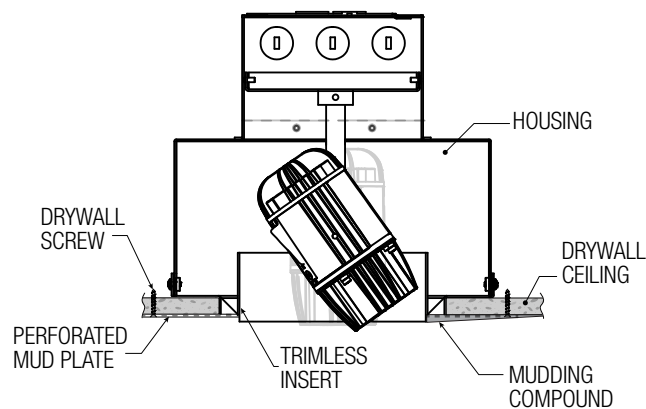
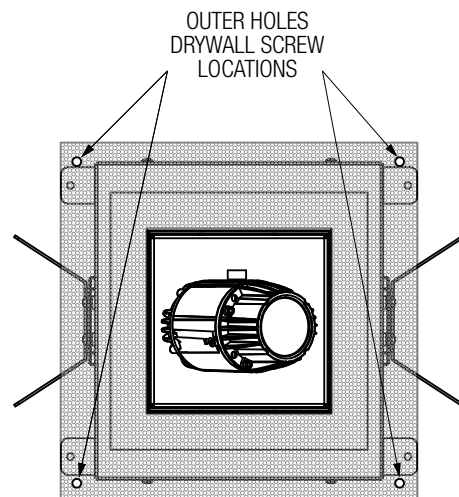


FIGURE 4