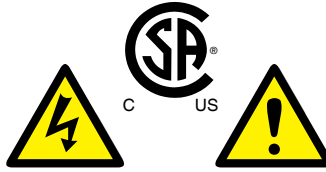


Warnings:

- * Risk of fire or electric shock.
- * Disconnect all power before installing or servicing.
- * Installation Instructions for qualified electricians only.
- * Install per National Electrical Code and local regulations.
- * Read Installation Instructions completely before installation.
- * Failure to follow Installation Instructions may void warranties.



THIS PRODUCT MUST BE INSTALLED IN ACCORDANCE WITH THE APPLICABLE INSTALLATION CODE BY A PERSON FAMILIAR WITH THE CONSTRUCTION AND OPERATION OF THE PRODUCT AND THE HAZARDS INVOLVED.

FIXTURE MOUNTING:

1. First REMOVE TRIM INSERT from Housing by compressing torsion spring at each side and pull straight down / lowering trim out from housing. *See Fig 1.* Fixture must be mounted using the BUTTERFLY MOUNTING BRACKETS.

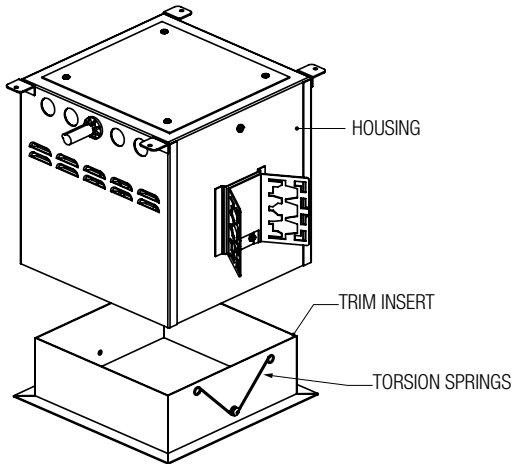


FIGURE 1

INSTALLATION NOTE:

DO NOT install insulation within 3 inches of any part of the Luminaire. *Blinking light of this thermally protected Luminaire may indicate overheating.*

BUTTERFLY MOUNTING:

2. Fixture comes equipped with universal BUTTERFLY MOUNTING BRACKETS that can take common 1" or 1-1/2" black iron or galvanized MOUNTING CHANNELS (supplied by others). *See Fig 2.*
3. Position fixture so the MOUNTING CHANNELS lie on top of the ceiling runners.
4. Fasten MOUNTING CHANNELS securely to ceiling runners.
5. Secure MOUNTING CHANNELS to universal BUTTERFLY MOUNTING BRACKETS with wire tie downs.
6. The BUTTERFLY MOUNTING BRACKETS are height-adjustable and should be set so that the APERTURE COLLAR will be within 1/2" above the finished ceiling plane.

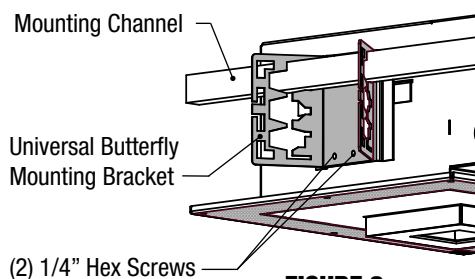


FIGURE 2

ELECTRICAL CONNECTION:

The housing features an easy access electrical compartment for simplified field wiring installation.

DO NOT modify the factory wiring settings as it may cause the luminaire to malfunction. Provide electrical service, according to the "National Electrical Code" or your local electrical code.

Notes: Review fixture labeling to make sure it is rated for the voltage installation being used. **Make sure no bare wires are exposed outside the wire nut connectors.**

7. Provide electrical service according to the "National Electrical Code" or your local electrical code to the junction box. Supply wire insulation must be rated for at least 90° C.
8. Remove electrical compartment cover.
9. Remove appropriate round knockout and connect conduit to electrical compartment with proper connector (*not included*).
10. 120V or 277V AC Supply: Connect white to white, black to black and green (from electrical service) to the green copper wire.
11. Place all connections and excess wiring into the electrical compartment and replace cover. *See Fig 3.*

PROCEED TO STEPS 12 AND 13 FOR TRIMMED APPLICATION:

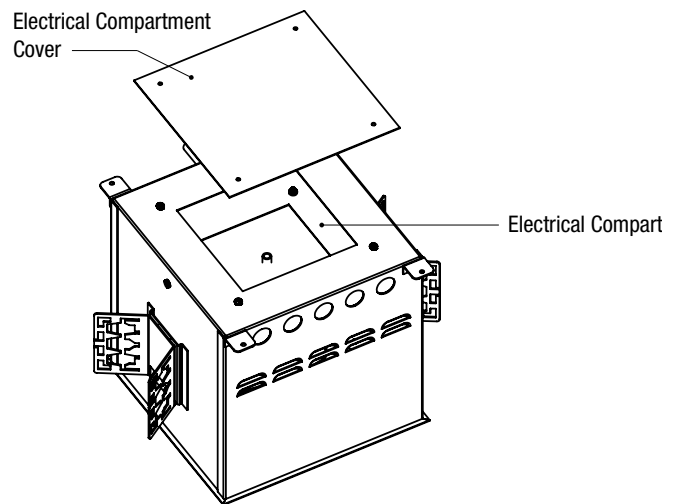
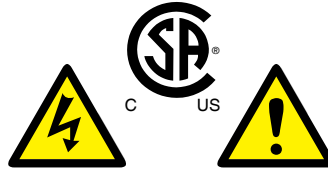


FIGURE 3

INSTALLATION INSTRUCTIONS

Warnings:

- * Risk of fire or electric shock.
- * Disconnect all power before installing or servicing.
- * Installation Instructions for qualified electricians only.
- * Install per National Electrical Code and local regulations.
- * Read Installation Instructions completely before installation.
- * Failure to follow Installation Instructions may void warranties.



THIS PRODUCT MUST BE INSTALLED IN ACCORDANCE WITH THE APPLICABLE INSTALLATION CODE BY A PERSON FAMILIAR WITH THE CONSTRUCTION AND OPERATION OF THE PRODUCT AND THE HAZARDS INVOLVED.

TRIMMED FIXTURE CEILING MATERIAL INSTALLATION:

12. Install the ceiling material within .50" of housing trim as seen in *Fig 5*. A clean cut-out in the CEILING MATERIAL is optimal.
13. Once housing is installed, securely in place and ceiling is finished simply compress the TORSION SPRINGS on the TRIM. Slide the TORSION SPRINGS into the brackets located on each side in the inner housing and push into housing. The torsion spring will secure the TRIM in place. *See Fig 4*.

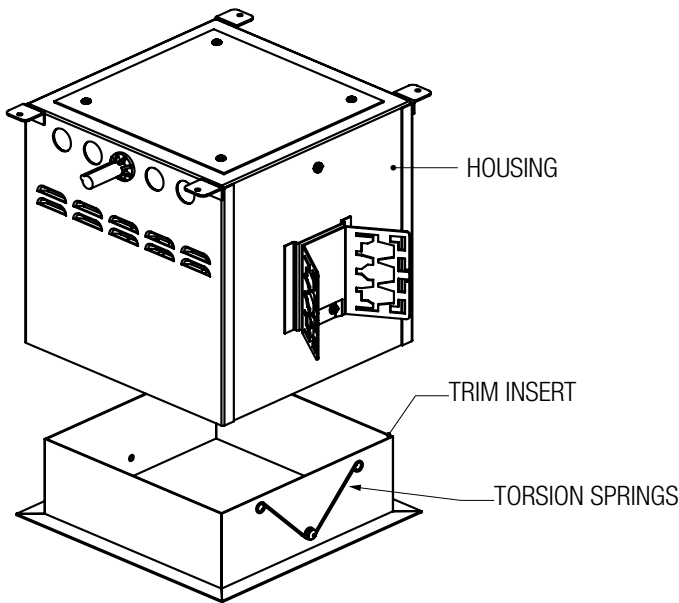


FIGURE 4

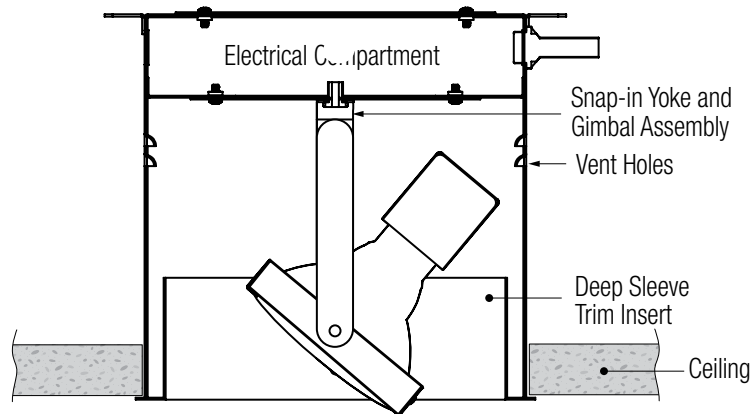


FIGURE 5