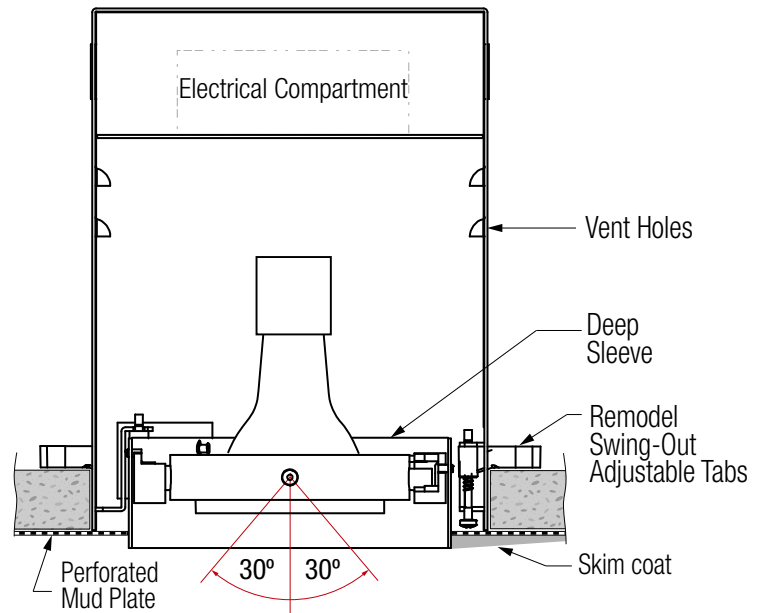
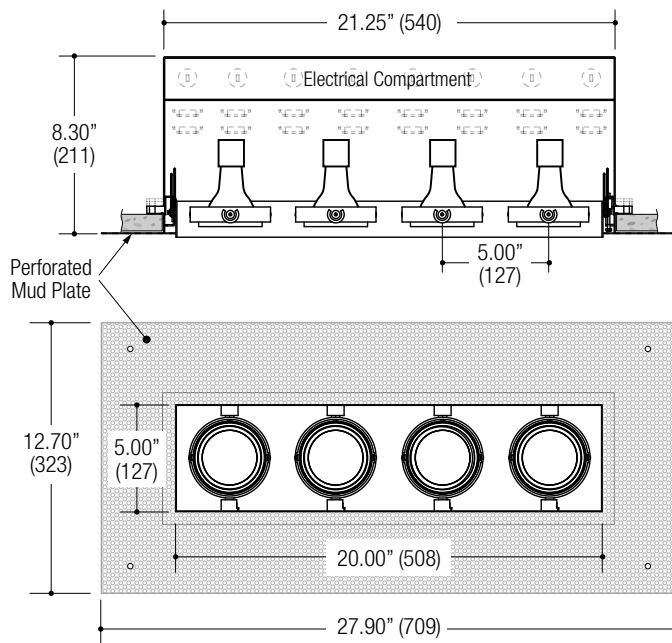


PROJECT

TYPE

CATALOG NUMBER

Measurements in () are metric equivalents.



DESCRIPTION

- Four light recessed accent / downlight - medium size
- All steel 18GA construction remodel housing
- Trimless insert with 5.00" x 20.00" open aperture
- Vent holes for cooler operating temperature
- Deep sleeve to conceal inner components
- Powder coat finish
- **Ceiling Cut-Out - 6.70" x 21.25" Important! No Larger**

LAMPS (not included)

- 120V PAR20 Halogen 50W max - Derate Labels Available
- PAR20MH 20W or 39W
- Accepts up to 2 or more optical accessories, dependent on lamp
- Trim mounted double gimbal
- 30° x 30° tilt aiming

ELECTRICAL

- Integral metal halide ballast (no power supply for line voltage lamps)
- Electrical wiring compartment integrated into housing construction
- Thermal protection
- Easy maintenance access through ceiling opening
- Rated for through-branch wiring
- Dimmable (line voltage only)

MOUNTING

- Trim collar is secured using adjustable swing out tabs
- For installation in drywall, wood, stone, acoustic tile, or other ceiling types
- Adjust for 1/2" through 1.0" ceiling thickness

LABELS

- Suitable for damp location



ORDERING INFO

SERIES	WATTAGE / LAMP	LAMP ASSEMBLY	POWER SUPPLY	VOLTAGE	FINISH	OPTIONS
MF314CR-S MULTIFORMS MF300 Series Recessed 4-Light Straight Aperture Adjustable Accent Trimless Insert Remodel Housing	030PR20X PAR20 30W max	TD Trim Mounted Double Gimbal	EB Electronic Metal Halide Ballast NA None - Line voltage lamps	1 120V 2 277V	BB Black WW White SS Silver XX Custom	EM Emergency
	040PR20X PAR20 40W max					
	050PR20X PAR20 50W max					
	020CR20X PAR20MH 20W 039CR20X PAR20MH 39W					
	015PR20X LED Retrofit					
MF34CR-S						

Ordering Example: **MF34CR-S-050PR20X-TD-NA-1-BB-CP**

