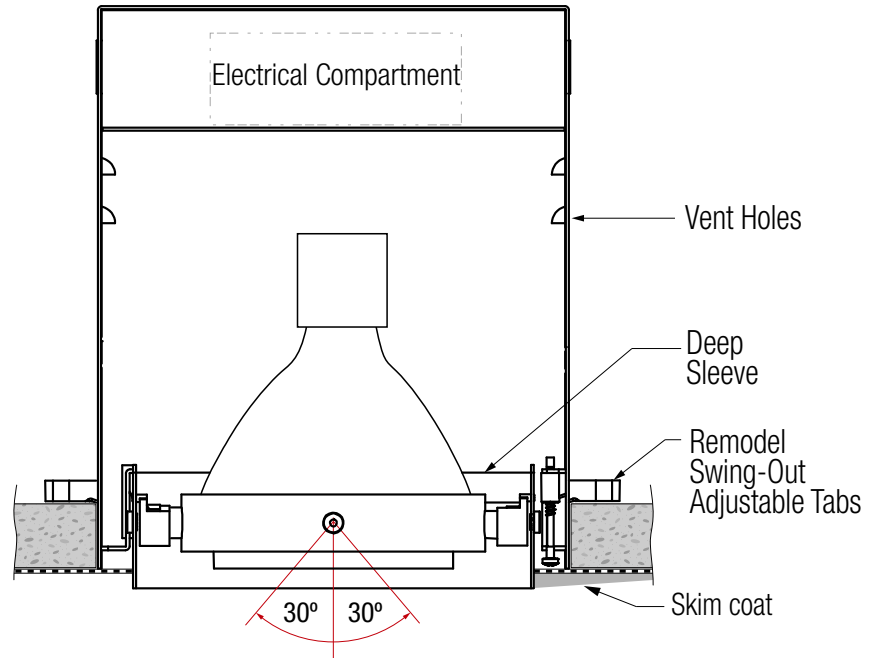
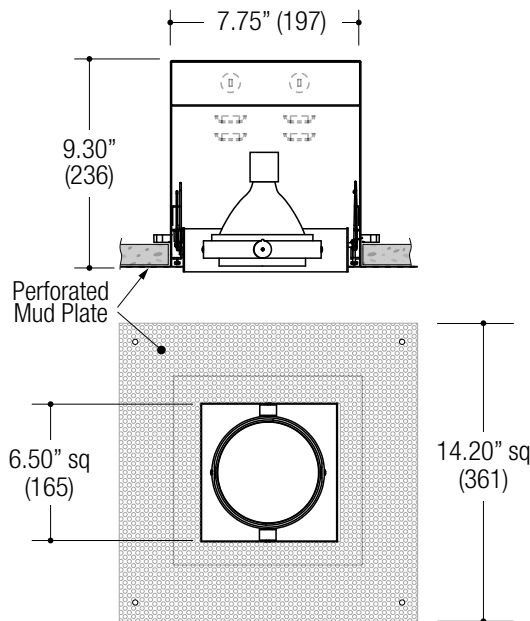


PROJECT	TYPE	CATALOG NUMBER
---------	------	----------------

Measurements in ( ) are metric equivalents.



#### DESCRIPTION

- One light recessed accent / downlight - large size
- All steel 18GA construction remodel housing
- Trimless insert with 6.50" x 6.50" open aperture
- Vent holes for cooler operating temperature
- Deep sleeve to conceal inner components
- Powder coat finish
- **Ceiling Cut-Out - 7.95" x 7.95"**

#### LAMPS (not included)

- 120V PAR30 Halogen 75W max - Derate Labels Available
- PAR30MH 20W, 39W or 70W
- PAR30 20W LED Retrofit
- Accepts up to 2 or more optical accessories, dependent on lamp
- Trim mounted double gimbal
- 30° x 30° tilt aiming

#### ELECTRICAL

- Integral metal halide ballast (no power supply for line voltage lamps)
- Electrical wiring compartment integrated into housing construction
- Thermal protection
- Easy maintenance access through ceiling opening
- Rated for through-branch wiring
- Dimmable (line voltage only)

#### MOUNTING

- Trimless collar is secured using adjustable swing out tabs
- For installation in drywall and other mud-in ceiling types
- Adjust for 1/2" through 1.0" ceiling thickness

#### LABELS

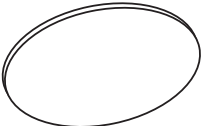
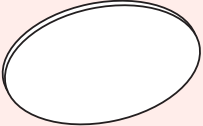
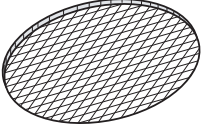

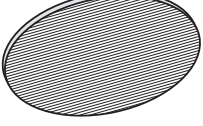
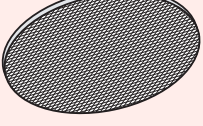
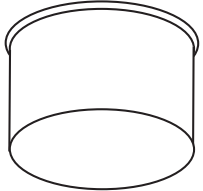
- Suitable for damp location



#### ORDERING INFO

SERIES	WATTAGE / LAMP	LAMP ASSEMBLY	POWER SUPPLY	VOLTAGE	FINISH	ACCESSORIES
<b>MF31DR-S</b>  <b>MULTIFORMS</b> <b>MF300 Series</b> Recessed 1-Light Straight Aperture Adjustable Accent Trimless insert Remodel Housing	<b>040PR30X</b> PAR30 40W max	<b>TD</b> Trim Mounted Double Gimbal	<b>NA</b> None - Line voltage lamps <b>EB</b> Electronic Metal Halide Ballast	<b>1</b> 120V <b>2</b> 277V	<b>BB</b> Black <b>WW</b> White <b>SS</b> Silver <b>XX</b> Custom	<b>EM</b> Emergency
	<b>050PR30X</b> PAR30 50W max					
	<b>075PR30X</b> PAR30 75W max					
	<b>020CR30X</b> PAR30MH 20W					
	<b>039CR30X</b> PAR30MH 39W					
<b>070CR30X</b> PAR30MH 70W						
<b>020PR30X</b> PAR30 20W LED Retrofit						
<b>MF31DR-S</b>						

Ordering Example: **MF31DR-S-075PR30X-YD-NA-1-BB-CP**

OPTICAL ACCESSORY	DESCRIPTION	LIGHT SOURCE		
		SMALL	MEDIUM	LARGE
		<ul style="list-style-type: none"> <li>• MR16</li> <li>• CMHMR16</li> <li>• 50mm LED</li> </ul>	<ul style="list-style-type: none"> <li>• PAR20</li> <li>• PAR20CMH</li> <li>• T4GU6.5</li> <li>• 70mm LED</li> </ul>	<ul style="list-style-type: none"> <li>• PAR30 / PAR30CMH</li> <li>• T4G8.5</li> <li>• T6G12</li> <li>• AR111 / CDMR111</li> <li>• 111mm LED</li> </ul>
	Clear Lens	OPTB-CLR Ø2.00" (51mm) nom.	OPTC-CLR Ø2.90" (74mm) nom.	OPTD-CLR Ø4.40" (112mm) nom.
	Clear Lens - LED Film	OPTB-L-CLR Ø2.00" (51mm) nom.	N/A	N/A
	UV Lens	OPTB-UVL Ø2.00" (51mm) nom.	OPTC-UVL Ø2.90" (74mm) nom.	OPTD-UVL Ø4.40" (112mm) nom.
	Hex Cell Louver	OPTB-HXL Ø2.00" (51mm) nom.	OPTC-HXL Ø2.90" (74mm) nom.	OPTD-HXL Ø4.40" (112mm) nom.
	Diffusion Lens	OPTB-DFL Ø2.00" (51mm) nom.	OPTC-DFL Ø2.90" (74mm) nom.	OPTD-DFL Ø4.40" (112mm) nom.
	Diffusion Lens - LED Film	OPTB-L-DFL Ø2.00" (51mm) nom.	OPTC-L-DFL Ø2.90" (74mm) nom.	OPTD-L-DFL Ø4.40" (112mm) nom.
	Linear Spread Lens	OPTB-LSL Ø2.00" (51mm) nom.	OPTC-LSL Ø2.90" (74mm) nom.	OPTD-LSL Ø4.40" (112mm) nom.
	Linear Spread Lens - LED Film	OPTB-L-LSL Ø2.00" (51mm) nom.	OPTC-L-LSL Ø2.90" (74mm) nom.	OPTD-L-LSL Ø4.40" (112mm) nom.
	Prismatic Spread Lens	OPTB-PSL Ø2.00" (51mm) nom.	OPTC-PSL Ø2.90" (74mm) nom.	OPTD-PSL Ø4.40" (112mm) nom.
	Snoot - Black	OPTB-SNB Ø2.00" (51mm) nom.	OPTC-SNB Ø2.90" (74mm) nom.	OPTD-SNB Ø4.40" (112mm) nom.
	Snoot - White	OPTB-SNW Ø2.00" (51mm) nom.	OPTC-SNW Ø2.90" (74mm) nom.	OPTD-SNW Ø4.40" (112mm) nom.
	Snoot - Silver	OPTB-SNS Ø2.00" (51mm) nom.	OPTC-SNS Ø2.90" (74mm) nom.	OPTD-SNS Ø4.40" (112mm) nom.
	Snoot - White With Black Splay	OPTB-SNWB Ø2.00" (51mm) nom.	OPTC-SNWB Ø2.90" (74mm) nom.	OPTD-SNWB Ø4.40" (112mm) nom.
	Snoot - Silver With Black Splay	OPTB-SNSB Ø2.00" (51mm) nom.	OPTC-SNSB Ø2.90" (74mm) nom.	OPTD-SNSB Ø4.40" (112mm) nom.

\* Other filters, colored glass, dichroics & micro-lenses available upon request