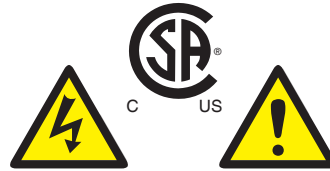


Warnings:

- * Risk of fire or electric shock.
- * **Disconnect all power before installing or servicing.**
- * Installation Instructions for qualified electricians only.
- * Install per National Electrical Code and local regulations.
- * Read Installation Instructions completely before installation.
- * Failure to follow Installation Instructions may void warranties.

MF300 Series
TRIMMED/TRIMLESS FIXTURE
INSTALLATION INSTRUCTIONS



THIS PRODUCT MUST BE INSTALLED IN ACCORDANCE WITH THE APPLICABLE INSTALLATION CODE BY A PERSON FAMILIAR WITH THE CONSTRUCTION AND OPERATION OF THE PRODUCT AND THE HAZARDS INVOLVED.

Pre-Installation: Remove the trim/trimless insert from the housing collar by pulling out, disconnecting the power source and safety cable. Set unit aside in a clean and undamaging environment. The trim will be put back in place after housing / ceiling installation.

Butterfly Mounting (Commercial):

- Step 1.** Fixture comes equipped with Universal BUTTERFLY MOUNTING BRACKETS and take common 1" or 1-1/2" Black Iron or Galvanized MOUNTING CHANNELS (*Supplied By Others*).
- Step 2.** POSITION FIXTURE so the MOUNTING CHANNELS lie on top of ceiling runners.
- Step 3.** Fasten MOUNTING CHANNELS securely to the ceiling runners with wire tie downs.
- Step 4.** Secure MOUNTING CHANNELS to UNIVERSAL BUTTERFLY MOUNTING BRACKETS with wire tie downs.
- Step 5.** ADJUST ELEVATION OF FIXTURE so that the edge of the TRIM OPTION will be flush with the surface of finished ceiling by loosening the two (2) 1/4" HEX SCREWS on UNIVERSAL BUTTERFLY MOUNTING BRACKETS and set accordingly **Fig 1**.
- Step 6.** Tighten the HEX SCREWS on both UNIVERSAL BUTTERFLY MOUNTING BRACKETS to secure fixture **Fig 1**.

Joist Installation:

HANGER BARS required for installation.

- Step 1.** Extend HANGER BARS to fit between joist and attach to joist or frame member using appropriate hardware for material. **See Fig 2, Detail 2A.**

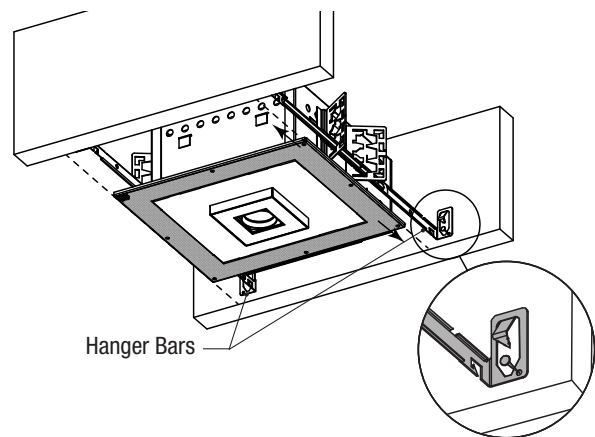


FIGURE 2

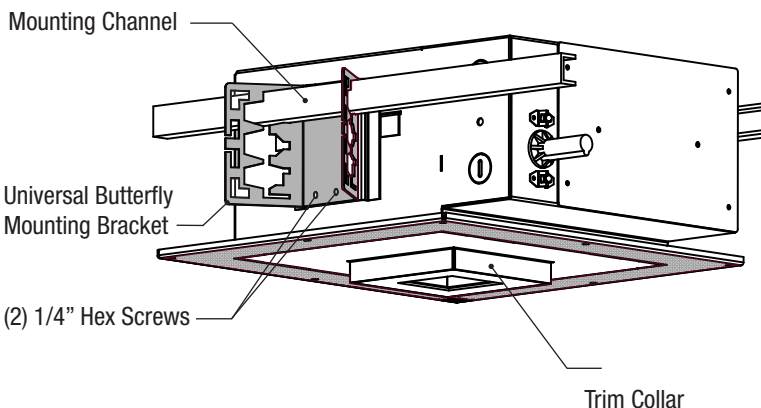


FIGURE 1

- Step 2.** ADJUST ELEVATION OF FIXTURE so that the BOTTOM EDGE OF THE COLLAR ALIGNS FLUSH (or within 3/4" ABOVE) finished ceiling surface.

- Step 3.** Position housing horizontally by sliding on hanger bars. Secure housing in position using wire tie downs.

It is IMPORTANT TO READ instruction sheet completely before installation.

MF300 Series

TRIMMED AND TRIMLESS

INSTALLATION INSTRUCTIONS

TRIMMED INSTALLATION

1. Install the ceiling material below housing as seen in *Fig 4*. A clean, square cut-out in the CEILING MATERIAL is optimal.
2. Once housing is installed, securely in place and ceiling is finished simply compress the TORSION SPRINGS on each end of the TRIM. Slide the TORSION SPRINGS into the brackets located on each side in the inner housing and push into housing. The torsion spring will hold the TRIM in place. See *Fig 3*.
3. Installation complete.

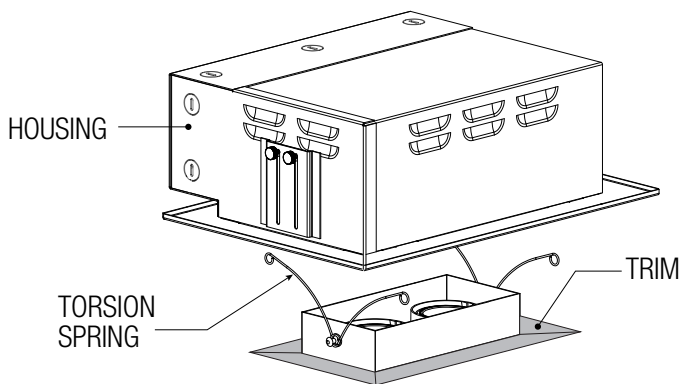


FIGURE 3

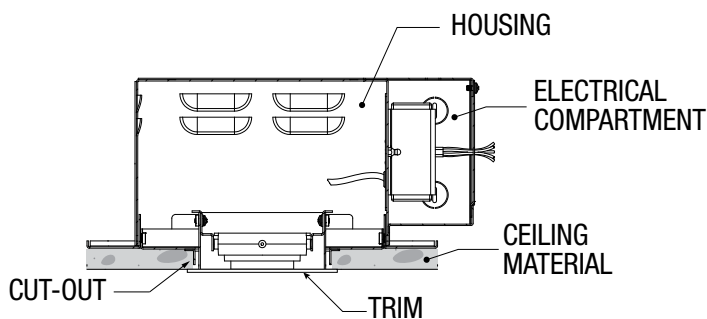


FIGURE 4

TRIMLESS INSTALLATION

1. A clean, square hole in the CEILING MATERIAL must be cut. Install the ceiling material below housing as seen in *Fig 5*.
2. Place the TRIMLESS INSERT into the HOUSING by pushing until flush with the CEILING MATERIAL as seen in *Fig 5*. Using the OUTER ALIGNMENT HOLES on the TRIMLESS INSERT, screw the PERFORATED MUD-PLATE to the drywall and into the HOUSING using DRYWALL SCREWS.
3. Smooth out MUDDING COMPOUND from around aperture to surrounding areas of DRYWALL as seen in *Fig 5*.

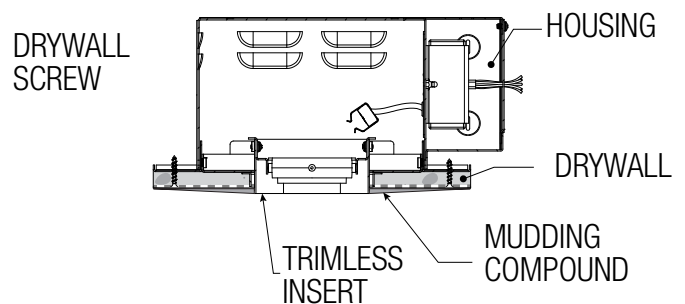
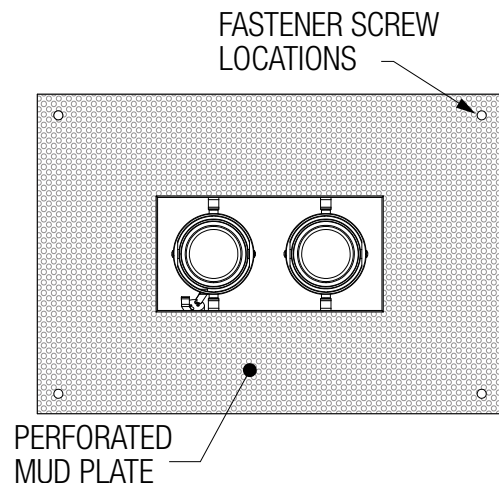


FIGURE 5

ELECTRICAL CONNECTION

The housing features an easy access junction box for simplified field wiring installation.

DO NOT modify the factory wiring settings as it may cause the luminaire to malfunction.

Notes: The junction box will accept 3/4" trade size fittings. Review fixture labeling to make sure it is rated for the voltage installation being used. **Make sure no bare wires are exposed outside wire nut connectors.**

Step 1. Provide electrical service according to the "National Electrical Code" or your local electrical regulations from a suitable junction box. Supply wire insulation must be rated for at least 90°C.

Step 2. Remove junction box cover **Fig 6**.

Step 3. Remove appropriate round knockout and connect conduit to junction box with proper connector (*not included*).

Step 4. 120V or 277V AC Supply: Connect white to white, black to black and green (*from electrical service*) to the green copper wire located in the junction box.

Step 5. Place all connections and excess wiring into the junction box and replace cover **Fig 6**.

NOTE: ALL WORK MUST BE DONE WITH CIRCUIT OFF AND TRIM SHOULD NOT BE INSTALLED WHEN FIXTURE IS ENERGIZED.

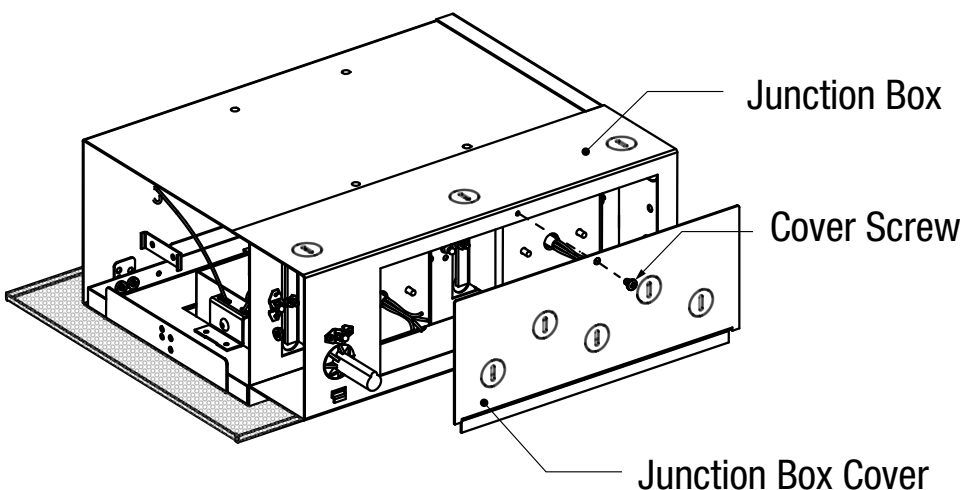


FIGURE 6



©2017 LF ILLUMINATION LLC

We reserve the right to change or
withdraw specifications without prior notice.

HEADQUARTERS

9200 Deering Avenue
Chatsworth CA 91311

Telephone: 818-885-1335

Toll Free: 855-885-1335

Fax: 818-576-1335

www.lfillumination.com
MF300TS 050817