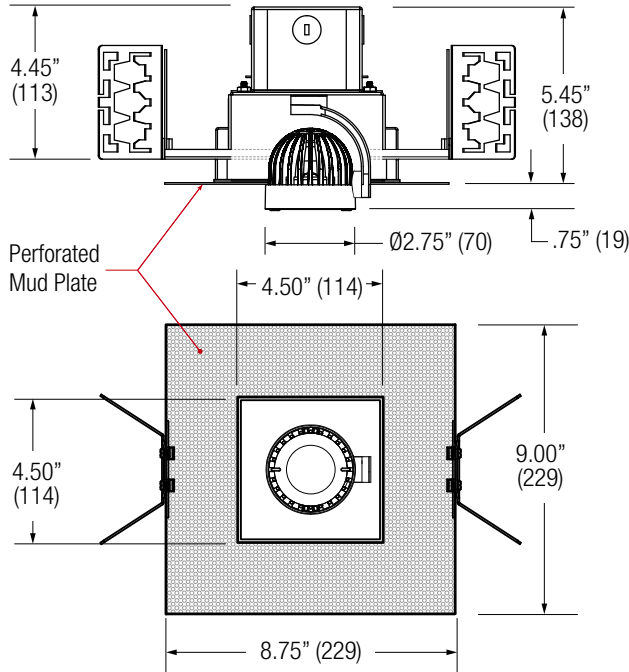
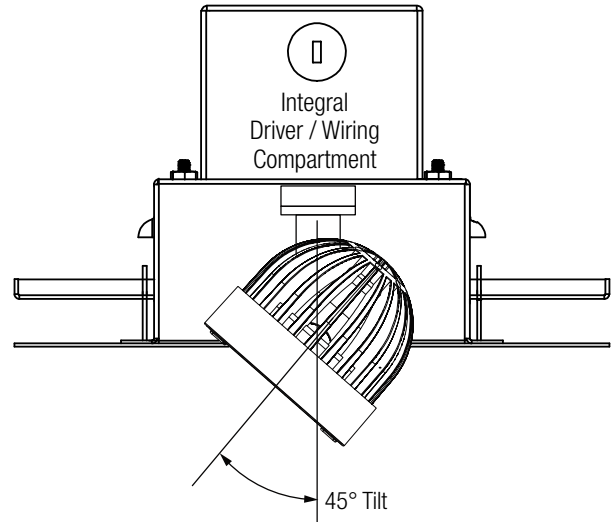


PROJECT	TYPE	CATALOG NUMBER
---------	------	----------------

Measurements in () are metric equivalents.



16 Watts / 1100 Lumens



DESCRIPTION

- One light recessed accent / downlight - small size
- All steel 18GA construction with powder coat finish
- Trimless insert with 4.50" x 4.50" open aperture
- Perforated metal mesh frame for mudding right to the aperture
- Vent holes for cooler operating temperature
- Deep sleeve feature to conceal inner components
- **Ceiling Cut-Out - 4.60" X 4.60"**

LED SOURCE

- Field-replaceable integral LED module
- Field-changeable optic
- 16W / 1100lm, 80CRI / 3000K
- Accepts up to 2 or more optical accessories
- Die-Cast trackhead style lamp holder
- Adjustable positioning with up to 45° tilt x 360°+ rotation
- Optional lamp back cover

ELECTRICAL

- Field-replaceable integral LED driver
- Electrical wiring compartment integrated into housing construction
- Thermal protection
- Easy maintenance access through ceiling opening
- Rated for through-branch wiring
- Dimmable

MOUNTING

- Butterfly brackets for commercial installation in drywall and other mud in ceiling types
- Continuously variable plate adjusts for 1/2" through 1.0" ceilings

LABELS

- Suitable for damp location

Patent Pending

5 YEAR WARRANTY

Limited



ORDERING INFO

SERIES	WATTAGE	CRI / COLOR	BEAM	YOKE	DRIVER	VOLTAGE	FINISH	OPTIONS
MF21BN-S	16L 16W LED 1100 lm nom.	8027 80CRI / 2700K 8030 80CRI / 3000K 8035 80CRI / 3500K 8040 80CRI / 4000K 9030 90CRI / 3000K	N Narrow M Medium W Wide	SR Semi-Recessed Yoke Assembly	LD LED Driver D1 Phase Dim. (120V only) D2 0-10V Dim. 120-277V	1 120V 2 277V	BB Black WW White	CP Chicago Plenum EM Emergency Relay CV Back cover
MULTIFORMS MF200 Series Recessed 1-Light Trackhead Style Adjustable Accent Trimless Fixture New Construction Housing					*Consult factory for other CRI, color temp, dimming, voltage or custom color options			
MF21BN-S								

Ordering Example: **MF21BN-S-16L-8027-N-SR-D1-1-BB-CV**