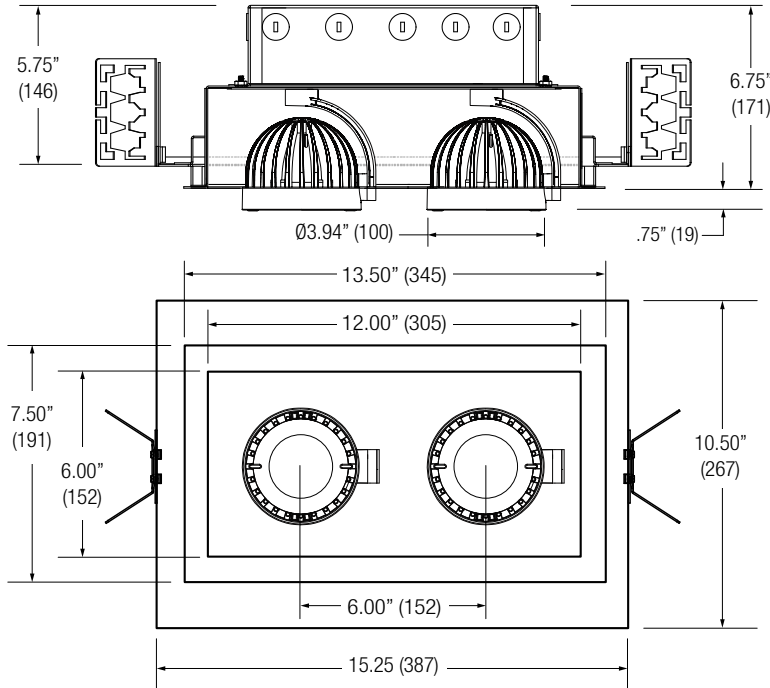
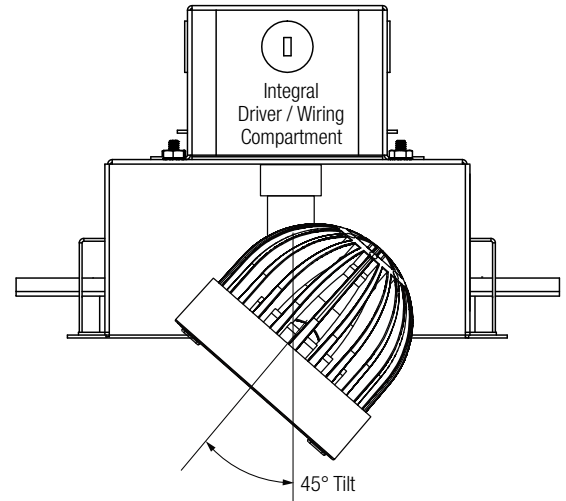


PROJECT	TYPE	CATALOG NUMBER
---------	------	----------------

Measurements in () are metric equivalents.



27 Watts / 2200 Lumens



DESCRIPTION

- Two light recessed accent / downlight - medium size
- All steel 18GA construction with powder coat finish
- .75" Trim flange with 6.00" x 12.00" open aperture
- Trim flange removable for maintenance
- Vent holes for cooler operating temperature
- Trim features deep sleeve to conceal inner components
- **Ceiling Cut-Out - 6.10" X 12.00"**

LED SOURCE

- Field-replaceable integral LED module
- Field-changeable optic
- 27W / 2200lm, 80CRI / 3000K
- Accepts up to 2 or more optical accessories
- Die-Cast trackhead style lamp holder, semi-recessed option available
- Adjustable positioning with up to 45° tilt x 360°+ rotation
- Optional lamp back cover

ELECTRICAL

- Field-replaceable integral LED driver
- Electrical wiring compartment integrated into housing construction
- Thermal protection
- Easy maintenance access through ceiling opening
- Rated for through-branch wiring
- Dimmable

MOUNTING

- Butterfly brackets for commercial installation in drywall, wood, stone, acoustic tile, or other ceiling types
- Continuously variable plate adjusts for 1/2" through 1.0" ceilings

LABELS

- Suitable for damp location

5 YEAR WARRANTY
Limited



ORDERING INFO

SERIES	WATTAGE	CRI / COLOR	BEAM	LAMP ASSEMBLY	DRIVER	VOLTAGE	FINISH	OPTIONS
MF22CN-T	27L 27W LED 2200 lm nom.	8027 80CRI / 2700K 8030 80CRI / 3000K 8035 80CRI / 3500K 8040 80CRI / 4000K 9030 90CRI / 3000K	N Narrow M Medium W Wide	SR Semi-Recessed Yoke Assembly	LD LED Driver D1 Phase Dim. (120V only) D2 0-10V Dim. 120-277V	1 120V 2 277V	BB Black WW White BW Black Interior/ White Trim	CP Chicago Plenum EM Emergency Relay CV Back cover
MULTIFORMS MF200 Series Recessed 2-Light Trackhead Style Adjustable Accent Trimmed Fixture New Construction Housing					*Consult factory for other CRI, color temp, dimming, voltage or custom color options			
MF22CN-T								

Ordering Example: **MF22CN-T-27L-8027-N-SR-D1-1-BB-CV**