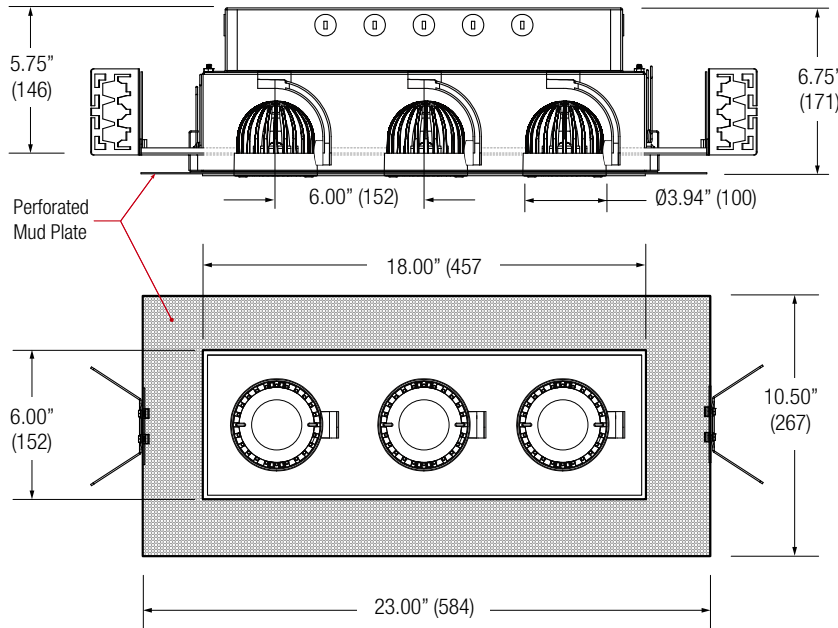
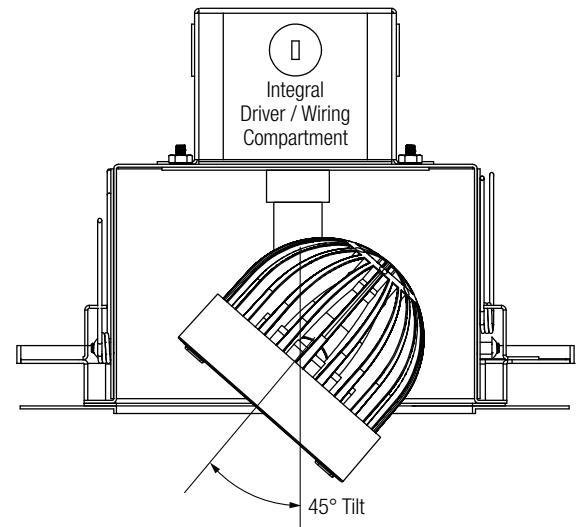


PROJECT	TYPE	CATALOG NUMBER
---------	------	----------------

Measurements in ( ) are metric equivalents.



## 27 Watts / 2200 Lumens



#### DESCRIPTION

- Three light recessed accent / downlight - medium size
- All steel 18GA construction with powder coat finish
- .75" Trim flange with 6.00" x 17.50" open aperture
- Perforated metal mesh frame for mudding right to the aperture
- Vent holes for cooler operating temperature
- Deep sleeve feature to conceal inner components
- **Ceiling Cut-Out - 6.10" x 18.10"**

#### LED SOURCE

- Field-replaceable integral LED module
- Field-changeable optic
- 27W / 2200lm, 80CRI / 3000K
- Accepts up to 2 or more optical accessories
- Die-Cast trackhead style lamp holder
- Adjustable positioning with up to 45° tilt x 360°+ rotation
- Optional lamp back cover

#### ELECTRICAL

- Field-replaceable integral LED driver
- Electrical wiring compartment integrated into housing construction
- Thermal protection
- Easy maintenance access through ceiling opening
- Rated for through-branch wiring
- Dimmable

#### MOUNTING

- Butterfly brackets for commercial installation in drywall and other mud in ceiling types
- Continuously variable plate adjusts for 1/2" through 1.0" ceilings

#### LABELS

- Suitable for damp location

Patent Pending

**5 YEAR WARRANTY**

Limited



#### ORDERING INFO

SERIES	WATTAGE	CRI / COLOR	BEAM	LAMP ASSEMBLY	DRIVER	VOLTAGE	FINISH	OPTIONS
<b>MF23CN-S</b>	<b>27L</b> 27W LED 2200 lm nom.	<b>8027</b> 80CRI / 2700K <b>8030</b> 80CRI / 3000K <b>8035</b> 80CRI / 3500K <b>8040</b> 80CRI / 4000K <b>9030</b> 90CRI / 3000K	<b>N</b> Narrow <b>M</b> Medium <b>W</b> Wide	<b>SR</b> Semi-Recessed Yoke Assembly	<b>LD</b> LED Driver <b>D1</b> Phase Dim. (120V only) <b>D2</b> 0-10V Dim. 120-277V	<b>1</b> 120V <b>2</b> 277V	<b>BB</b> Black <b>WW</b> White <b>BW</b> Black Interior/ White Trim	<b>CP</b> Chicago Plenum <b>EM</b> Emergency Relay <b>CV</b> Back cover
<b>MULTIFORMS MF200 Series</b>								
Recessed 3-Light Trackhead Style Adjustable Accent Trimless Fixture New Construction Housing								
<b>MF23CN-S</b>								

Ordering Example: **MF23CN-S-27L-8027-N-SR-D1-1-BB-CV**