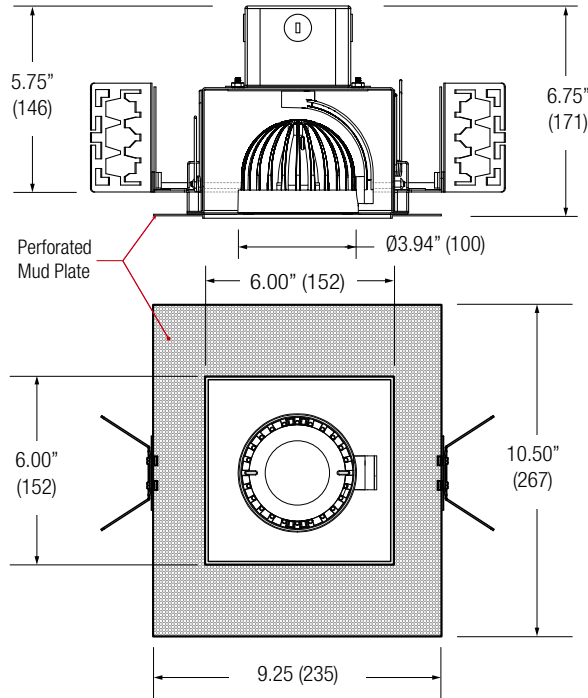
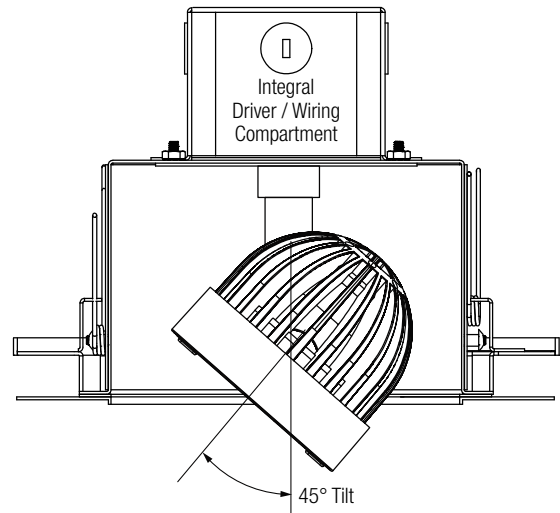


PROJECT	TYPE	CATALOG NUMBER
---------	------	----------------

Measurements in () are metric equivalents.



27 Watts / 2200 Lumens



DESCRIPTION

- One light recessed accent / downlight - medium size
- All steel 18GA construction with powder coat finish
- Trimless insert with 6.00" x 6.00" open aperture
- Perforated metal mesh frame for mudding right to the aperture
- Vent holes for cooler operating temperature
- Deep sleeve feature to conceal inner components
- **Ceiling Cut-Out - 6.10" x 6.10"**

LED SOURCE

- Field-replaceable integral LED module
- Field-changeable optic
- 27W / 2200lm, 80CRI / 3000K
- Accepts up to 2 or more optical accessories
- Die-Cast trackhead style lamp holder
- Adjustable positioning with up to **45° tilt x 360°+** rotation
- Optional lamp back cover

ELECTRICAL

- Field-replaceable integral LED driver
- Electrical wiring compartment integrated into housing construction
- Thermal protection
- Easy maintenance access through ceiling opening
- Rated for through-branch wiring
- Dimmable

MOUNTING

- Butterfly brackets for commercial installation in drywall and other mud in ceiling types
- Continuously variable plate adjusts for 1/2" through 1.0" ceilings

LABELS

- Suitable for damp location

Patent Pending

5 YEAR WARRANTY

Limited



ORDERING INFO

SERIES	WATTAGE	CRI / COLOR	BEAM	LAMP ASSEMBLY	DRIVER	VOLTAGE	FINISH	OPTIONS
MF21CN-S MULTIFORMS MF200 Series Recessed 1-Light Trackhead Style Adjustable Accent Trimless Fixture New Construction Housing	27L 27W LED 2200 lm nom.	8027 80CRI / 2700K	N Narrow	SR Semi-Recessed Yoke Assembly	LD LED Driver D1 Phase Dim. (120V only) D2 0-10V Dim. 120-277V <small>*Consult factory for other CRI, color temp, dimming, voltage or custom color options</small>	1 120V 2 277V	BB Black WW White BW Black Interior/White Trim	CP Chicago Plenum
		8030 80CRI / 3000K	M Medium					EM Emergency Relay
		8035 80CRI / 3500K	W Wide					CV Back cover
		8040 80CRI / 4000K						
		9030 90CRI / 3000K						
MF21CN-S								

Ordering Example: **MF21CN-S-27L-8027-N-SR-D1-1-BB-CV**