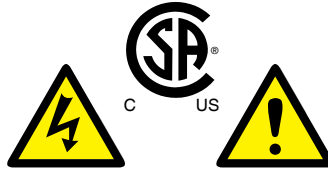


INSTALLATION INSTRUCTIONS

Warnings:

- * Risk of fire or electric shock.
- * **Disconnect all power before installing or servicing.**
- * Installation Instructions for qualified electricians only.
- * Install per National Electrical Code and local regulations.
- * Read Installation Instructions completely before installation.
- * Failure to follow Installation Instructions may void warranties.



THIS PRODUCT MUST BE INSTALLED IN ACCORDANCE WITH THE APPLICABLE INSTALLATION CODE BY A PERSON FAMILIAR WITH THE CONSTRUCTION AND OPERATION OF THE PRODUCT AND THE HAZARDS INVOLVED.

Pre-Installation: Remove the trim from the housing collar by pulling out, disconnecting the power source and safety cable. Set unit aside in a clean and undamaging environment. The trim will be put back in place after housing / ceiling installation.

Butterfly Mounting (Commercial):

Step 1. Fixture comes equipped with Universal BUTTERFLY MOUNTING BRACKETS and take common 1" or 1-1/2" Black Iron or Galvanized MOUNTING CHANNELS (*Supplied By Others*).

Step 2. POSITION FIXTURE so the MOUNTING CHANNELS lie on top of ceiling runners.

Step 3. Fasten MOUNTING CHANNELS securely to the ceiling runners with wire tie downs.

Step 4. Secure MOUNTING CHANNELS to UNIVERSAL BUTTERFLY MOUNTING BRACKETS with wire tie downs.

Step 5. ADJUST ELEVATION OF FIXTURE so that the edge of the TRIM OPTION will be flush with the surface of finished ceiling by loosening the two (2) 1/4" HEX SCREWS on UNIVERSAL BUTTERFLY MOUNTING BRACKETS and set accordingly **Fig 1**.

Step 6. Tighten the HEX SCREWS on both UNIVERSAL BUTTERFLY MOUNTING BRACKETS to secure fixture **Fig 1**.

Joist Installation:

Optional HANGER BARS required for installation

Step 1. Extend HANGER BARS to fit between joist and position mounting tab tight to joist or frame member. **Fig 2**. Hanger bars should be level at a height positioned to allow for a finished trim to ceiling.

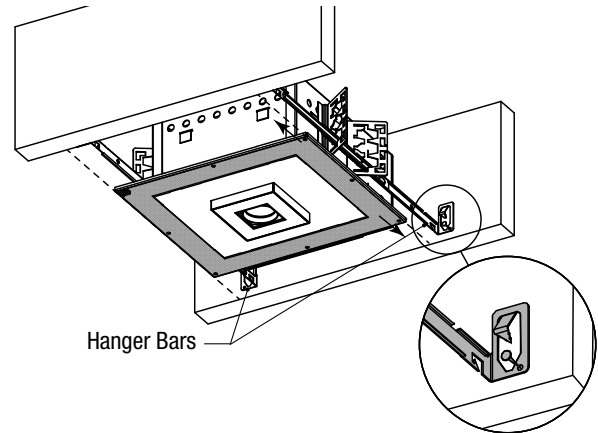


FIGURE 2

Detail 2A

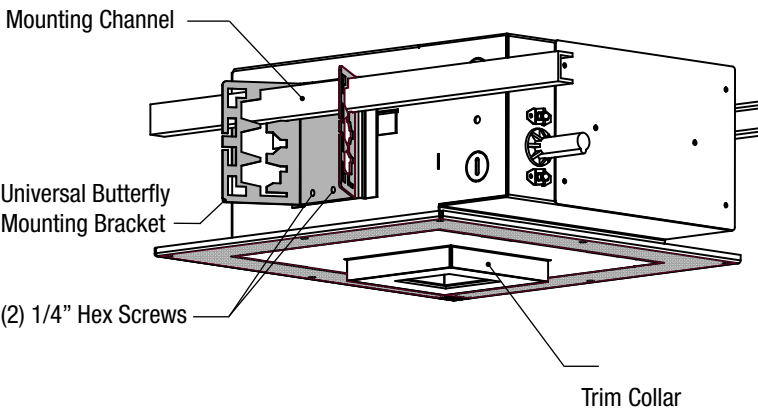


FIGURE 1

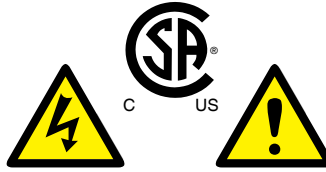
Step 2. Attach bar hangers to joist or frame member using appropriate hardware for material. **See Detail 2A**.

Step 3. Position housing by sliding on hanger bars. Secure housing in position using wire tie downs.

INSTALLATION INSTRUCTIONS

Warnings:

- * Risk of fire or electric shock.
- * **Disconnect all power before installing or servicing.**
- * Installation Instructions for qualified electricians only.
- * Install per National Electrical Code and local regulations.
- * Read Installation Instructions completely before installation.
- * Failure to follow Installation Instructions may void warranties.



THIS PRODUCT MUST BE INSTALLED IN ACCORDANCE WITH THE APPLICABLE INSTALLATION CODE BY A PERSON FAMILIAR WITH THE CONSTRUCTION AND OPERATION OF THE PRODUCT AND THE HAZARDS INVOLVED.

TRIMMED FIXTURE /CEILING MATERIAL INSTALLATION:

Step 1. Pull the TRIM away from the HOUSING. The TORSION SPRINGS retain the TRIM onto the HOUSING. Compress the TORSION SPRINGS on each end of the TRIM, releasing the TRIM from the HOUSING. See Fig 3.

Step 2. A clean, square/rectangular opening in the CEILING MATERIAL must be cut. Install the ceiling material below housing as seen in Fig 4.

Step 3. Smooth out MUDDING COMPOUND / TAPE from around trim collar to surrounding areas of DRYWALL as seen in Fig 4.

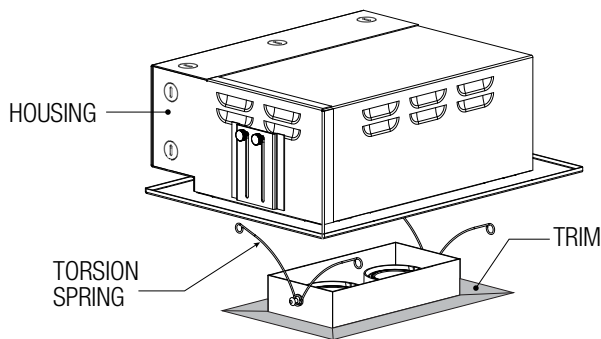


FIGURE 3

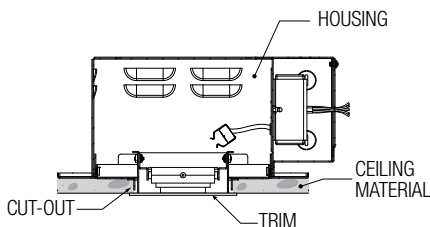


FIGURE 4

Electrical Connection:

The housing features an easy access junction box for simplified field wiring installation.

DO NOT modify the factory wiring settings as it may cause the luminaire to malfunction.

Notes: The junction box will accept 3/4" trade size fittings. Review fixture labeling to make sure it is rated for the voltage installation being used. **Make sure no bare wires are exposed outside wire nut connectors.**

Step 1. Provide electrical service according to the "National Electrical Code" or your local electrical regulations from a suitable junction box. Supply wire insulation must be rated for at least 90°C.

Step 2. Remove junction box cover Fig 5.

Step 3. Remove appropriate round knockout and connect conduit to junction box with proper connector (*not included*).

Step 4. 120V or 277V AC Supply: Connect white to white, black to black and green (*from electrical service*) to the green copper wire located in the junction box.

Step 5. Place all connections and excess wiring into the junction box and replace cover Fig 5.

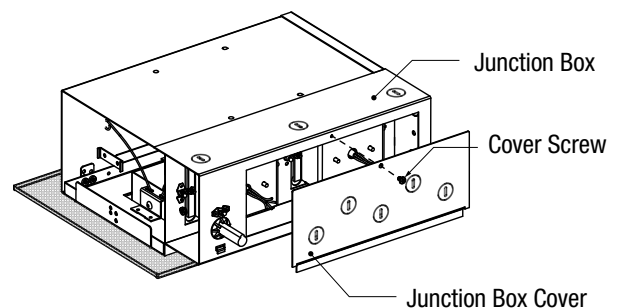


FIGURE 5