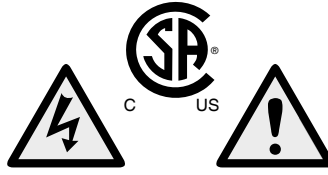


INSTALLATION INSTRUCTIONS

Warnings:

- * Risk of fire or electric shock.
- * **Disconnect all power before installing or servicing.**
- * Installation Instructions for qualified electricians only.
- * Install per National Electrical Code and local regulations.
- * Read Installation Instructions completely before installation.
- * Failure to follow Installation Instructions may void warranties.



THIS PRODUCT MUST BE INSTALLED IN ACCORDANCE WITH THE APPLICABLE INSTALLATION CODE BY A PERSON FAMILIAR WITH THE CONSTRUCTION AND OPERATION OF THE PRODUCT AND THE HAZARDS INVOLVED.

Pre-Installation: Remove the trimless insert from the housing collar by pulling out, disconnecting the power source and safety cable. Set unit aside in a clean and undamaging environment. The unit will be put back in place after housing / ceiling installation.

Butterfly Mounting (Commercial):

Step 1. Fixture comes equipped with Universal BUTTERFLY MOUNTING BRACKETS and take common 1" or 1-1/2" Black Iron or Galvanized MOUNTING CHANNELS (*Supplied By Others*).

Step 2. POSITION FIXTURE so the MOUNTING CHANNELS lie on top of ceiling runners.

Step 3. Fasten MOUNTING CHANNELS securely to the ceiling runners with wire tie downs.

Step 4. Secure MOUNTING CHANNELS to UNIVERSAL BUTTERFLY MOUNTING BRACKETS with wire tie downs.

Step 5. ADJUST ELEVATION OF FIXTURE so that the edge of the TRIM OPTION will be flush with the surface of finished ceiling by loosening the two (2) 1/4" HEX SCREWS on UNIVERSAL BUTTERFLY MOUNTING BRACKETS and set accordingly **Fig 1**.

Step 6. Tighten the HEX SCREWS on both UNIVERSAL BUTTERFLY MOUNTING BRACKETS to secure fixture **Fig 1**.

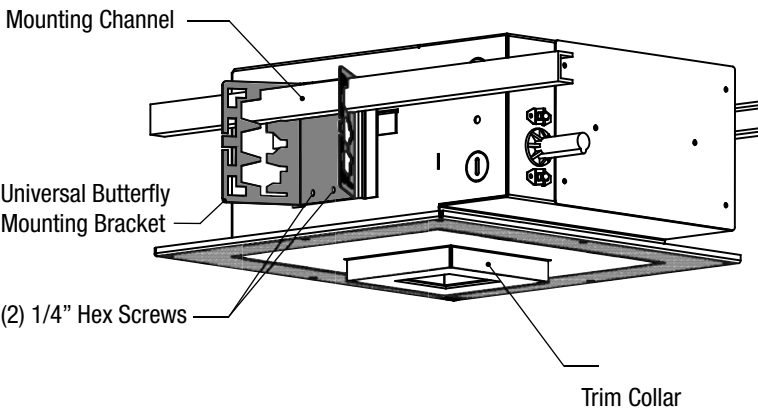


FIGURE 1

Joist Installation:

Optional HANGER BARS required for installation

Step 1. Extend HANGER BARS to fit between joist and position mounting tab tight to bottom of joist or frame member **Fig 2**. Hanger bars should be level with bottom of joist or frame member. **See Detail 2A.**

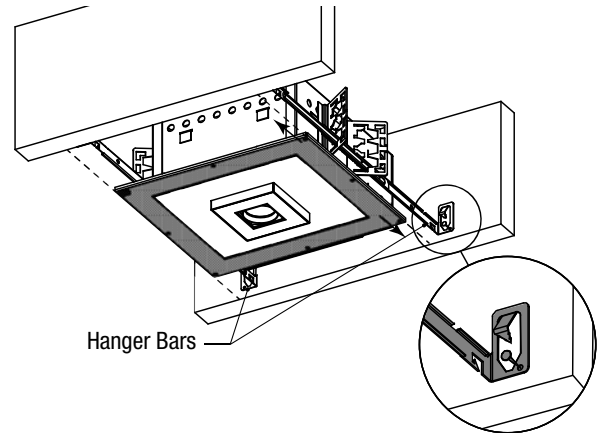


FIGURE 2

Detail 2A

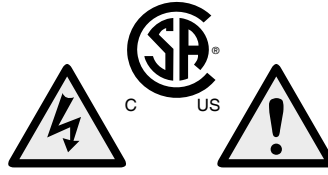
Step 2. Attach bar hangers to joist or frame member using appropriate hardware for material.

Step 3. Position housing by sliding on hanger bars. Secure housing in position using wire tie downs.

INSTALLATION INSTRUCTIONS

Warnings:

- * Risk of fire or electric shock.
- * **Disconnect all power before installing or servicing.**
- * Installation Instructions for qualified electricians only.
- * Install per National Electrical Code and local regulations.
- * Read Installation Instructions completely before installation.
- * Failure to follow Installation Instructions may void warranties.



THIS PRODUCT MUST BE INSTALLED IN ACCORDANCE WITH THE APPLICABLE INSTALLATION CODE BY A PERSON FAMILIAR WITH THE CONSTRUCTION AND OPERATION OF THE PRODUCT AND THE HAZARDS INVOLVED.

TRIMLESS FIXTURE CEILING MATERIAL INSTALLATION:

Step 1. A clean, square/or rectangle hole in the CEILING MATERIAL must be cut. Install the ceiling material below housing as seen in **Fig 3.**

Step 2. Place the TRIMLESS INSERT into the HOUSING by compressing torsion springs and setting back into the spring retaining clips. Pushing trim into housing until flush with the CEILING MATERIAL as seen in **Fig 3.**

Step 3. Using the OUTER ALIGNMENT HOLES on the PERFORATED MUD PLATE, screw the mud plate into the housing going through the drywall using drywall screws. (screws provided others).

Step 4. Smooth out MUDDING COMPOUND / TAPE from around aperture to surrounding areas of DRYWALL as seen in **Fig 3.**

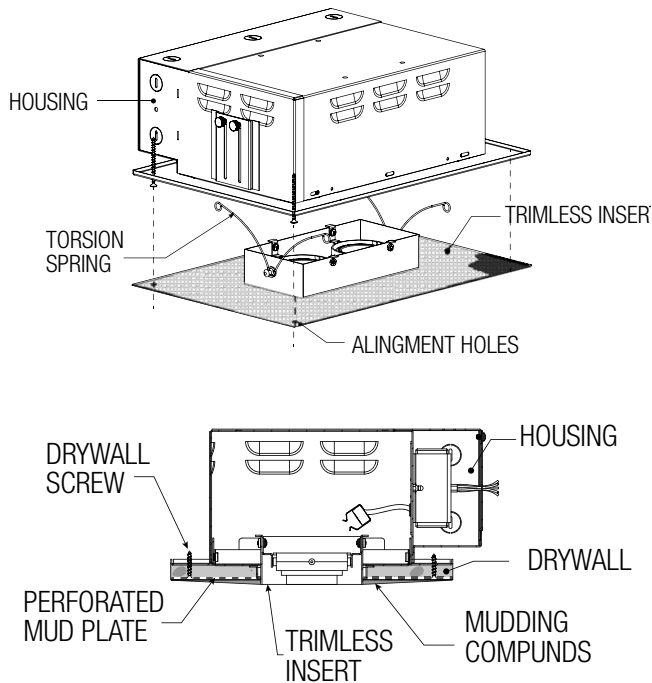
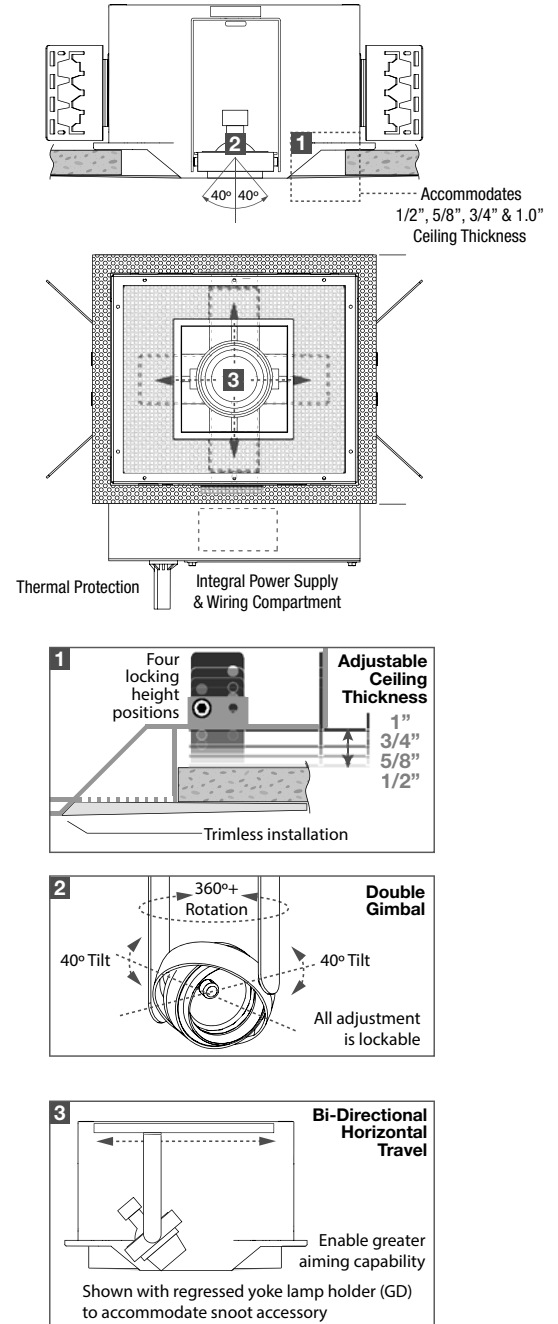


FIGURE 3

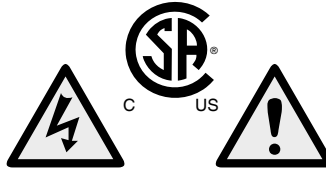
MF100 Features



INSTALLATION INSTRUCTIONS

Warnings:

- * Risk of fire or electric shock.
- * **Disconnect all power before installing or servicing.**
- * Installation Instructions for qualified electricians only.
- * Install per National Electrical Code and local regulations.
- * Read Installation Instructions completely before installation.
- * Failure to follow Installation Instructions may void warranties.



THIS PRODUCT MUST BE INSTALLED IN ACCORDANCE WITH THE APPLICABLE INSTALLATION CODE BY A PERSON FAMILIAR WITH THE CONSTRUCTION AND OPERATION OF THE PRODUCT AND THE HAZARDS INVOLVED.

Electrical Connection:

The housing features an easy access junction box for simplified field wiring installation.

DO NOT modify the factory wiring settings as it may cause the luminaire to malfunction.

Notes: The junction box will accept 3/4" trade size fittings. Review fixture labeling to make sure it is rated for the voltage installation being used. **Make sure no bare wires are exposed outside wire nut connectors.**

Step 1. Provide electrical service according to the "National Electrical Code" or your local electrical regulations from a suitable junction box. Supply wire insulation must be rated for at least 90°C.

Step 2. Remove junction box cover **Fig 4.**

Step 3. Remove appropriate round knockout and connect conduit to junction box with proper connector (*not included*).

Step 4. 120V or 277V AC Supply: Connect white to white, black to black and green (*from electrical service*) to the green copper wire located in the junction box.

Step 5. Place all connections and excess wiring into the junction box and replace cover **Fig 4.**

NOTE: ALL WORK MUST BE DONE WITH CIRCUIT OFF AND COMPONENTS SHOULD NOT BE INSTALLED WHEN ENERGIZED.

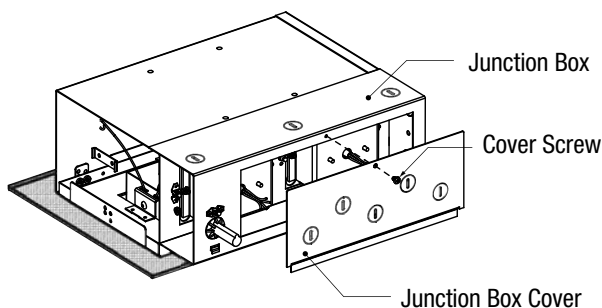


FIGURE 4



©2016 LF ILLUMINATION LLC

We reserve the right to change or withdraw specifications without prior notice.

HEADQUARTERS
9200 Deering Avenue
Chatsworth CA 91311

Telephone: 818-885-1335
Toll Free: 855-885-1335
Fax: 818-576-1335

www.lfillumination.com
MF100S 082516