

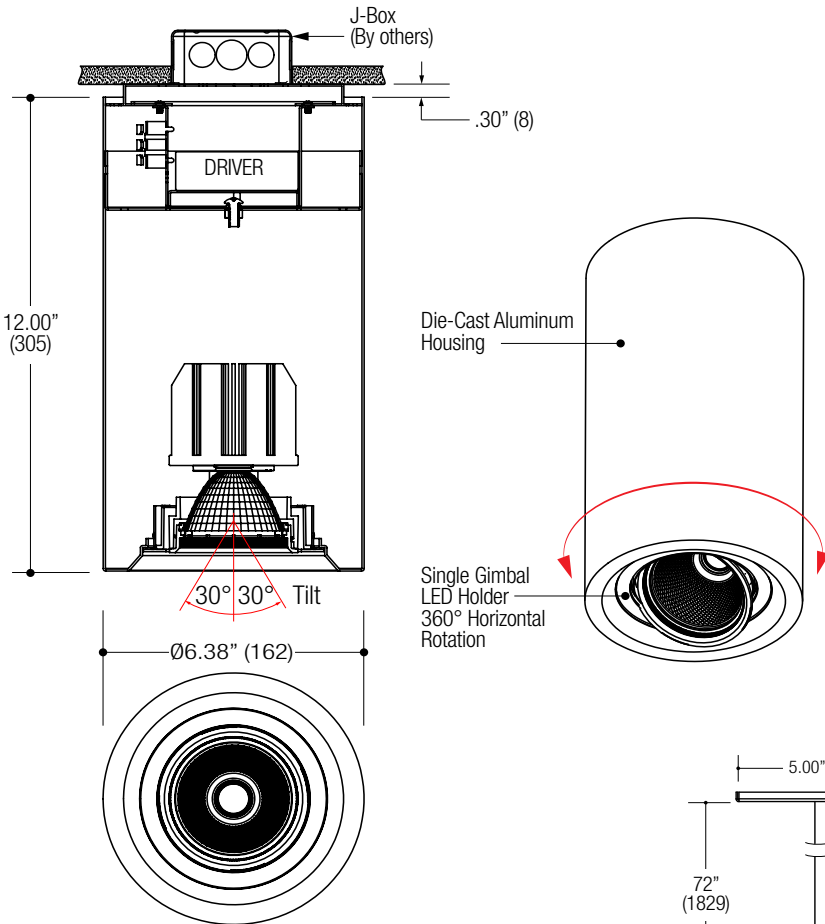
LED

INTEGRAL DRIVER

MEDIUM

PROJECT	TYPE	CATALOG NUMBER
---------	------	----------------

Measurements in () are metric equivalents.



ROUND HOUSING

- Single downlight accent fixture / medium size
- Die-cast aluminum housing
- Single gimbal lamp holder
- 360° horizontal rotation
- 30° x 30° tilt aiming

LED SOURCE



- Field-replaceable integral LED module
- Field-changeable optics
- 13W / 1323lm (@ 80CRI min / 3000K)
- 19W / 1787lm (@ 80CRI min / 3000K)
- 26W / 2556lm (@ 80CRI min / 3000K)
- 34W / 3370lm (@ 80CRI min / 3000K)

ELECTRICAL

- Field accessible junction box wiring and power supply enclosure, access from below
- Integral thermal protection
- Easy maintenance access
- Optional dimming

MOUNTING

- Directly to junction box

LABELS

- Suitable for damp location

STEM Stem Kit

- Surface mount canopy
- Standard J-box surface mounting hardware
- Extruded aluminum stem 72" overall length
- Field cuttable

5 YEAR WARRANTY

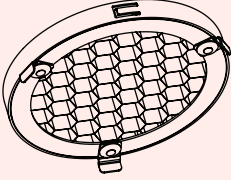
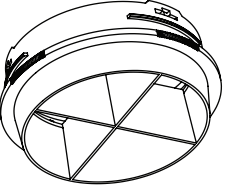
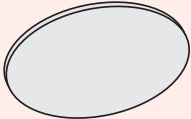
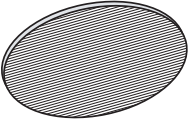
Limited



ORDERING INFO

SERIES	WATTAGE	CRI / COLOR	BEAM	DRIVER	FINISH	MOUNTING	OPTIONS
MAGRP-C	13C 13W LED 1323 lm delivered	8027 80CRI / 2700K 8030 80CRI / 3000K 8035 80CRI / 3500K	N Narrow 13° M Medium 22° W Wide 30° V Very Wide 50°	DMU Dimming Multiple Forward/Reverse Phase (@ 120V only) 0-10V Wires Present (@ 120-277V)	BB Black WW White	<i>Leave blank for Surface Mount</i>	EM Emergency LED inverter
MAGGIE CYLINDER ROUND	19C 19W LED 1787 lm delivered	8040 80CRI / 4000K 9227 92CRI / 2700K 9230 92CRI / 3000K 9235 92CRI / 3500K 9240 92CRI / 4000K		D31 Lutron Hi-lume™ Forward Phase 1% (@ 120V only) D4U Lutron Hi-lume™ EcoSystem™ & 3 wire 1% (@ 120-277V only) DEU Lutron Hi-lume™ EcoSystem™ 1% with Soft-On, Fade-to-Black™ 1% (@ 120-277V only)	Consult factory for custom colors.	STEM Stem Kit (extruded stem)	
Medium Single Gimbal	26C 26W LED 2556 lm delivered 34C 34W LED 3370 lm delivered @ 80CRI / 3000K Narrow Beam						
MAGRP-C							

Ordering Example: **MAGRP-C-13C-9230-W-DMU-BB-STEM-EM**

OPTICAL ACCESSORY	DESCRIPTION	LED SOURCE
		EF208-B
		<ul style="list-style-type: none"> • 14W LED • 21W LED • 28W LED • 35W LED
	Hex Cell Louver - Black	OPT-EF208B-HXL Ø2.00" (51mm) nom.
	Snoot with Cross Baffle White	OPT-EF208B-CBWW Ø2.56" (65mm) nom.
	Snoot with Cross Baffle Black	OPT-EF208B-CBBB Ø2.56" (65mm) nom.
	Diffused Lens	OPT-EF208B-P-DFL
	Linear Spread Lens	OPT-EF208B-P-LSL