

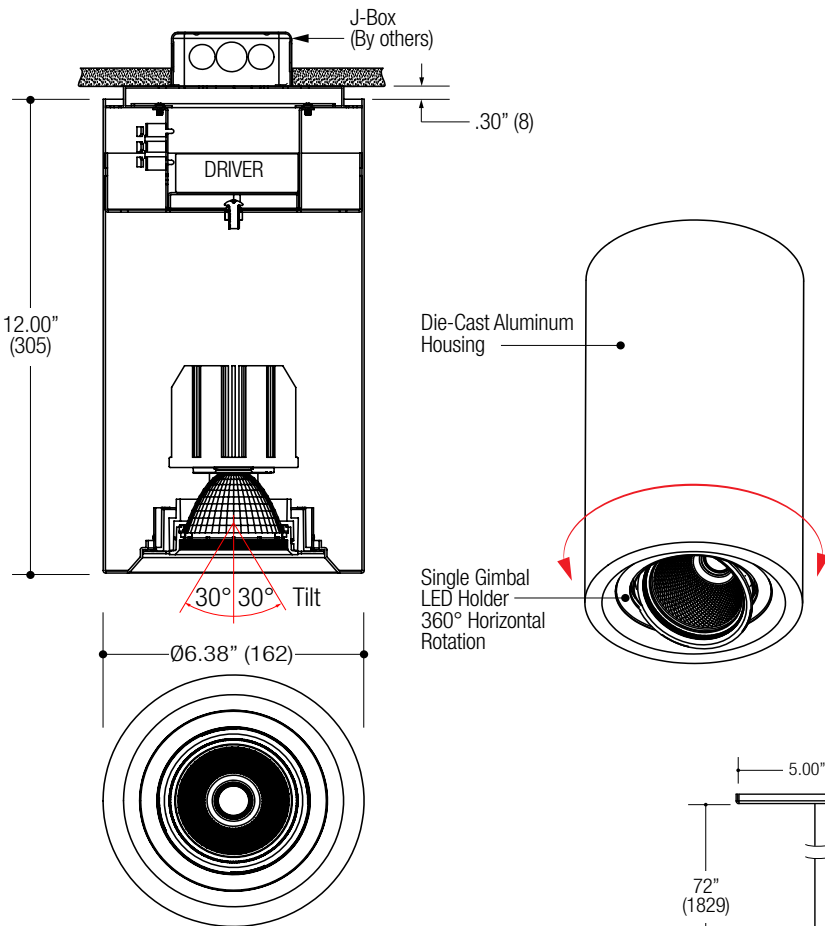
LED

INTEGRAL DRIVER

MEDIUM

PROJECT	TYPE	CATALOG NUMBER
---------	------	----------------

Measurements in () are metric equivalents.



ROUND HOUSING

- Single downlight accent fixture / medium size
- Die-cast aluminum housing
- Single gimbal lamp holder
- 360° horizontal rotation
- 30° x 30° tilt aiming

LED SOURCE



- Field-replaceable integral LED module
- Field-changeable optics
- 13W / 1323lm (@ 80CRI min / 3000K)
- 19W / 1787lm (@ 80CRI min / 3000K)
- 26W / 2556lm (@ 80CRI min / 3000K)
- 34W / 3370lm (@ 80CRI min / 3000K)

ELECTRICAL

- Field accessible junction box wiring and power supply enclosure, access from below
- Integral thermal protection
- Easy maintenance access
- Optional dimming

MOUNTING

- Directly to junction box

LABELS

- Suitable for damp location

STEM Stem Kit

- Surface mount canopy
- Standard J-box surface mounting hardware
- Extruded aluminum stem 72" overall length
- Field cuttable

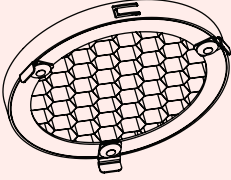
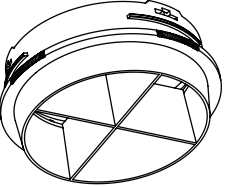
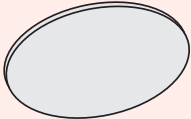
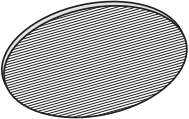
5 YEAR WARRANTY
Limited



ORDERING INFO

SERIES	WATTAGE	CRI / COLOR	BEAM	DRIVER	FINISH	MOUNTING	OPTIONS
MAGRP-C	13C 13W LED 1323 lm delivered	8027 80CRI / 2700K 8030 80CRI / 3000K 8035 80CRI / 3500K	N Narrow 13° M Medium 22° W Wide 30° V Very Wide 50°	DMU Dimming Multiple Forward/Reverse Phase (@ 120V only) 0-10V Wires Present (@ 120-277V)	BB Black WW White	<i>Leave blank for Surface Mount</i>	<i>For Emergency LED Inverter Options See Page 3</i>
MAGGIE CYLINDER ROUND	19C 19W LED 1787 lm delivered	8040 80CRI / 4000K 9227 92CRI / 2700K 9230 92CRI / 3000K 9235 92CRI / 3500K 9240 92CRI / 4000K		D31 Lutron Hi-lume™ Forward Phase 1% (@ 120V only) D4U Lutron Hi-lume™ EcoSystem™ & 3 wire 1% (@ 120-277V only) DEU Lutron Hi-lume™ EcoSystem™ 1% with Soft-On, Fade-to-Black™ 1% (@ 120-277V only)	Consult factory for custom colors.	STEM Stem Kit (extruded stem)	
Medium Single Gimbal	26C 26W LED 2556 lm delivered 34C 34W LED 3370 lm delivered @ 80CRI / 3000K Narrow Beam						
MAGRP-C							

Ordering Example: **MAGRP-C-13C-9230-W-DMU-BB-STEM**

OPTICAL ACCESSORY	DESCRIPTION	LED SOURCE
		EF208-B
		<ul style="list-style-type: none"> • 13W LED • 19W LED • 26W LED • 34W LED
	Hex Cell Louver - Black	OPT-EF208B-HXL Ø2.00" (51mm) nom.
	Snoot with Cross Baffle White	OPT-EF208B-CBWW Ø2.56" (65mm) nom.
	Snoot with Cross Baffle Black	OPT-EF208B-CBBB Ø2.56" (65mm) nom.
	Diffused Lens	OPT-EF208B-P-DFL
	Linear Spread Lens	OPT-EF208B-P-LSL

LED

ELV

MLV

PROJECT

TYPE

CATALOG NUMBER

The emergency inverter provides full power up to its load rating for no less than 90 minutes as prescribed by UL 924 Listed for US and Canada & CSA C22 No. 141 Unit Equipment for Emergency Lighting.

The inverter is installed remotely, behind an access panel or with above ceiling access required (behind grid ceilings are also acceptable). The inverter is not accessible through the fixture opening in the ceiling. The inverters are rated for 120-277V and will work for LED, ELV, MLV, incandescent & fluorescent loads.

The inverter is paired for the connected load wattage of the light source(s).

25W



If the load rating requirement is 25W (or less) then we recommend **LF #EMREM25**

- IOTA #IIS-25-I:** <http://www.iotaengineering.com/iis25.htm>
- Instructions:** http://iotaengineering.com/Inverter/iis25_manual.pdf
- Wiring Diagram:** <http://iotaengineering.com/diagrams/ad10.pdf>

35W



If the load rating requirement is 25-35W then we recommend **LF #EMREM35**

- IOTA #IIS-35-I:** http://iotaengineering.com/Inverter/iis35_spec.pdf
- Instructions:** http://iotaengineering.com/Inverter/iis35_manual.pdf
- Wiring Diagram:** <http://iotaengineering.com/diagrams/ad10.pdf>

50W



If the load rating requirement is 35-50W then we recommend **LF #EMREM50**

- IOTA #IIS-50-I:** http://iotaengineering.com/Inverter/iis50_spec.pdf
- Instructions:** http://iotaengineering.com/Inverter/iis50_manual.pdf
- Wiring Diagram:** <http://iotaengineering.com/diagrams/ad10.pdf>

Consult LF Illumination for higher wattage inverter offerings.