

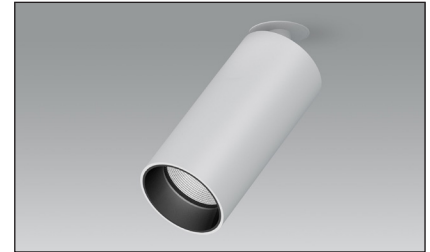
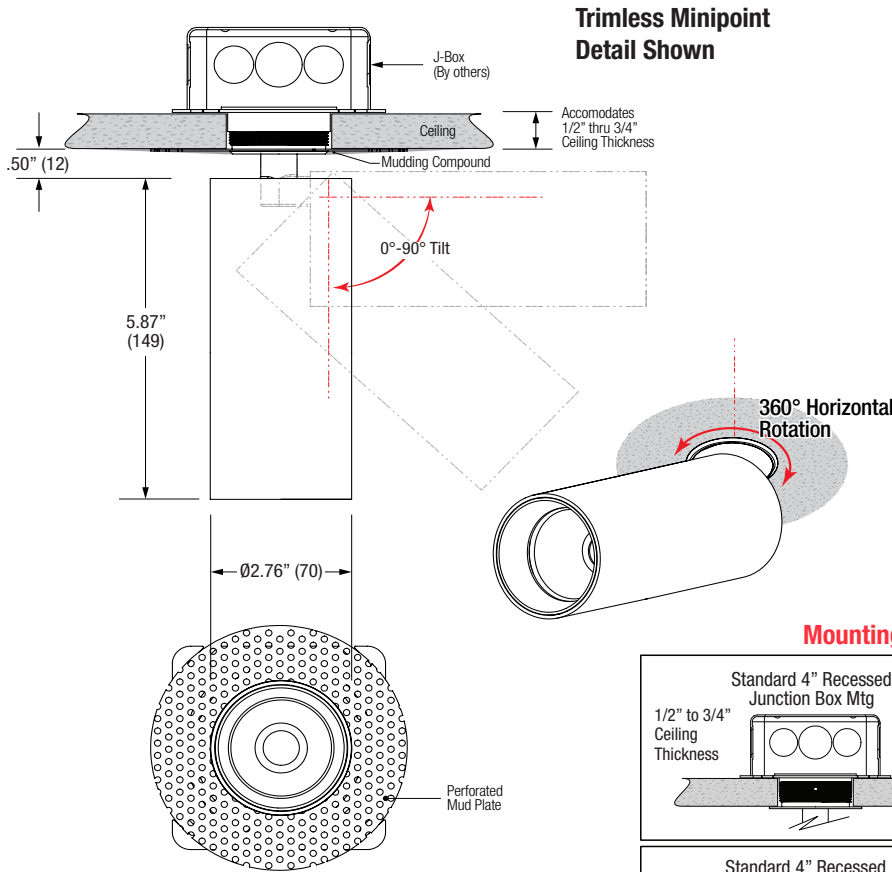
LED

INTEGRAL DRIVER

SMALL

PROJECT	TYPE	CATALOG NUMBER
---------	------	----------------

Measurements in () are metric equivalents.



Specifications

MONOPOINT

- 2.76" diameter cylinder shape
- 0° - 90° vertical tilting / 360° horizontal rotation
- Constant friction
- Die cast aluminum housing
- LED optical grade reflector
- Powder coat finish

LED SOURCE

- CREE
- ValuDIM™ Warm dimming
- Field replaceable optics available
- Will accept 1 lens and 1 louver

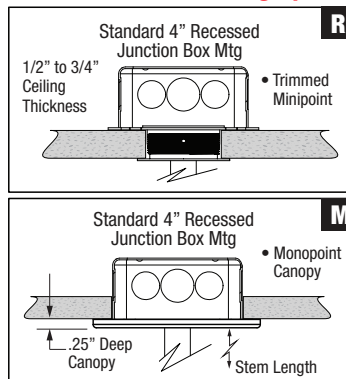
ELECTRICAL

- Fully integral LED driver
- Phase dimmable or 0-10V power supply

MOUNTING

- Trimless "Minipoint" mounting for new construction recessed J-box
- "Minipoint" mounting for new construction recessed J-box
- Standard monopoint canopy for surface or recessed J-box

Mounting Options



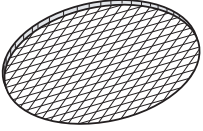
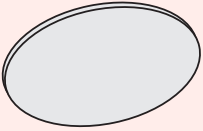
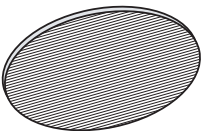
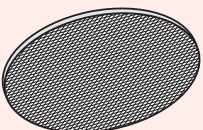
ORDERING INFO

SERIES	MOUNTING	WATTAGE	CRI / COLOR	BEAM	POWER SUPPLY	FINISH
TRA19B JULIE Monopoint Die-Cast Aluminum Adjustable Aim	S Trimless Minipoint	08C 8W LED 801 lm del.	8027 80CRI / 2700K 8030 80CRI / 3000K 8035 80CRI / 3500K 8040 80CRI / 4000K 9227 92CRI / 2700K 9230 92CRI / 3000K 9235 92CRI / 3500K 9240 92CRI / 4000K 9827 98CRI / 2700K 9830 98CRI / 3000K 9835 98CRI / 3500K 9840 98CRI / 4000K	N Narrow 12° M Medium 25° W Wide 34° V Very Wide 55°	DMU Dimming Multiple Forward/Reverse Phase (@ 120V only) 0-10V Wires Present (@ 120-277V)	BB All Black WB White with Black Bezel WW All White SB Silver with Black Bezel Consult factory for custom colors
	R Recessed Minipoint M Standard Monopoint	13C 13W LED 1078 lm del. 15C 15W LED 1208 lm del. Delivered @ 80CRI / 3000K Narrow Beam	9220 92CRI / 3000-1800K Warm Dimming (ValuDIM Only)			
		ValuDIM™ 15V 15W LED / 712lm del. / 3000-1800K Warm Dimming Delivered @ 92CRI / 3000K Narrow Beam				

Ordering Example: **TRA19B-M-13C-9830-M-DMU-WW**



**5 YEAR
WARRANTY**
Limited

OPTICAL ACCESSORY	DESCRIPTION	LIGHT SOURCE
		SMALL
		• 60mm LED
	Hex Cell Louver	OPT-TRA19B-HXL Ø2.36" (60mm) nom.
	Diffusion Lens	OPT-TRA19B-P-DFL Ø2.36" (60mm) nom.
	Linear Spread Lens	OPT-TRA19B-P-LSL Ø2.36" (60mm) nom.
	Prismatic Spread Lens	OPT-TRA19B-P-PSL Ø2.36" (60mm) nom.

* Other filters, colored glass, dichroics & micro-lenses available upon request