

Warnings:

- * Risk of fire or electric shock.
- * **Disconnect all power before installing or servicing.**
- * Installation Instructions for qualified electricians only.
- * Install per National Electrical Code and local regulations.
- * Read Installation Instructions completely before installation.
- * Failure to follow Installation Instructions may void warranties.



THIS PRODUCT MUST BE INSTALLED IN ACCORDANCE WITH THE APPLICABLE INSTALLATION CODE BY A PERSON FAMILIAR WITH THE CONSTRUCTION AND OPERATION OF THE PRODUCT AND THE HAZARDS INVOLVED.

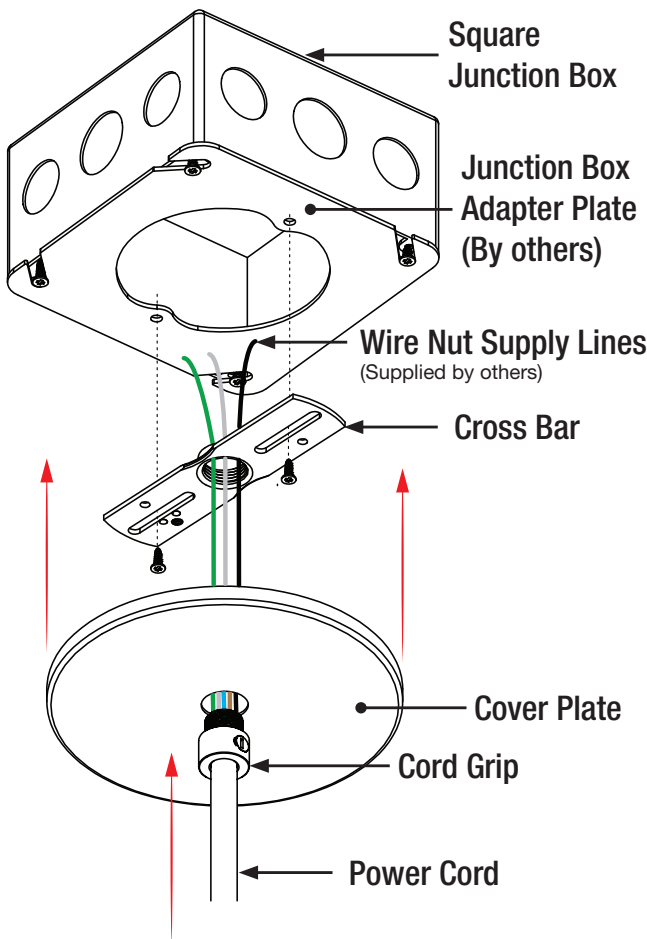
JUNCTION BOX MOUNTING OVERVIEW:

1. Feed wires from the power cable through the cross bar
2. Feed wires from the power cable through the cross bar and wire nut supply lines within J-box.
3. Attach the cross bar to the junction box adapter plate.
4. Thread cord grip through the cover plate and into the cross bar.
5. Tighten cord grip around power cord at desired fixture height.

3 WIRE COLOR CODE:

BLACK = HOT
WHITE = NEUTRAL
GREEN = GROUND

SQUARE JUNCTION BOX



OCTAGONAL JUNCTION BOX

