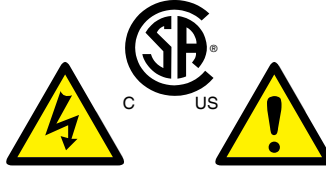


INSTALLATION INSTRUCTIONS

Warnings:

- * Risk of fire or electric shock.
- * Disconnect all power before installing or servicing.
- * Installation Instructions for qualified electricians only.
- * Install per National Electrical Code and local regulations.
- * Read Installation Instructions completely before installation.
- * Failure to follow Installation Instructions may void warranties.



THIS PRODUCT MUST BE INSTALLED IN ACCORDANCE WITH THE APPLICABLE INSTALLATION CODE BY A PERSON FAMILIAR WITH THE CONSTRUCTION AND OPERATION OF THE PRODUCT AND THE HAZARDS INVOLVED.

TRACK MOUNTING:

1. Depress tab, insert into track and release
See Fig 1.

FIXTURE ADJUSTMENTS:

1. Dimming Feature. Depress tab on top of housing where indicated to switch to desired dimming *See Fig 2.*
2. Single tool adjustment. Set horizontal rotation and vertical adjustment where indicated *See Figures 1 & 2.*

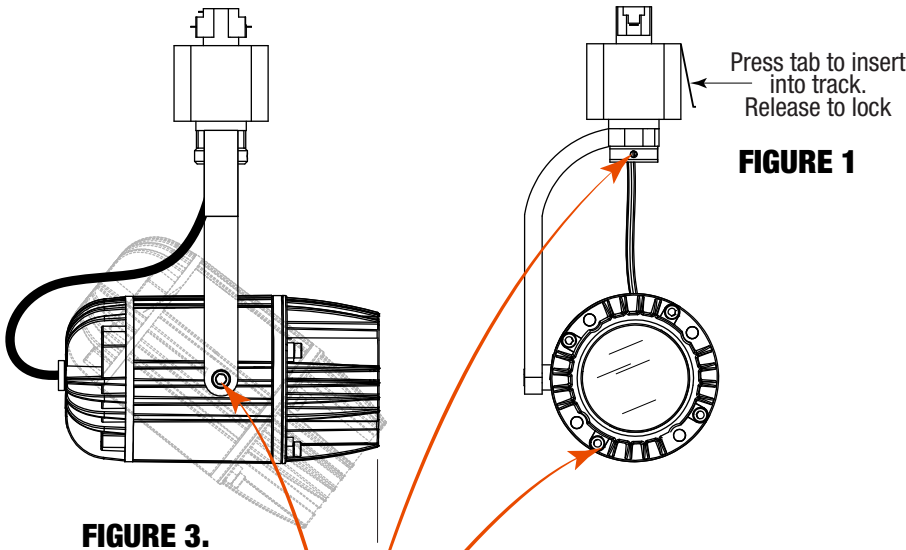


FIGURE 1

FIGURE 3.

Matching HEX drive, one tool for adjusting horizontal rotation, vertical tilt and optical cover removal.

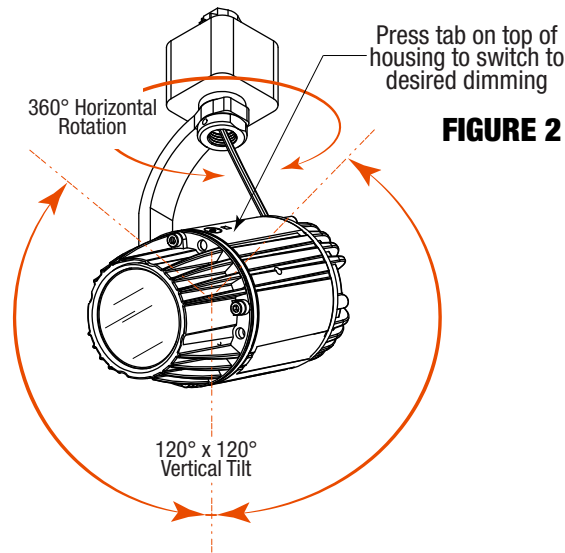


FIGURE 2