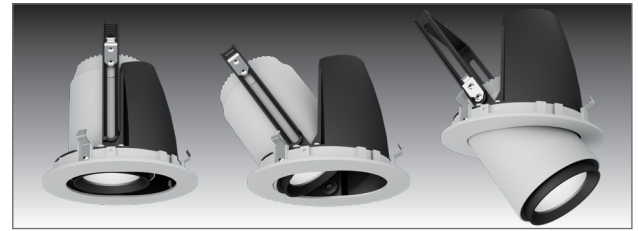
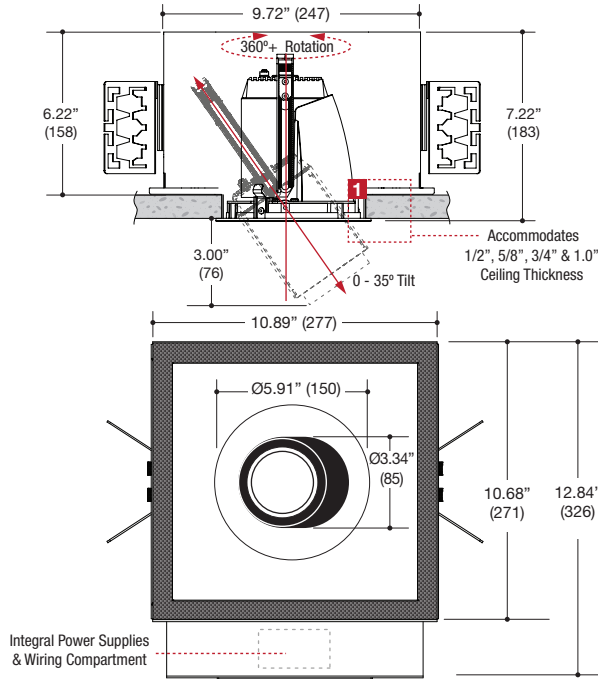


TRIMMED

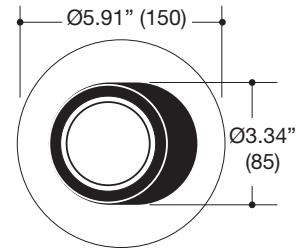
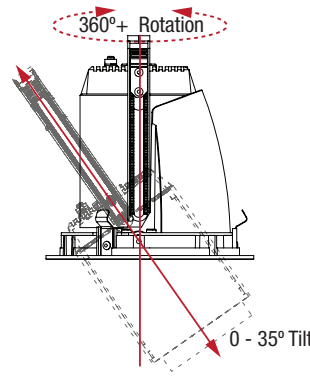
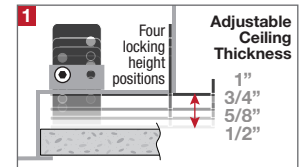
LED

MEDIUM

PROJECT	TYPE	CATALOG NUMBER
---------	------	----------------



Designed by Walter Amort, Registered Design



### DOWNLIGHT

- Recessed adjustable downlight
- Die-cast aluminum trim with powder coat finish
- 0°-35° lockable tilt aiming
- 360°+ rotation
- Retractable mechanism for up to 3" pull-down

### HOUSING

- All steel construction
- Powder coat finish
- **Ceiling Cut-Out - Ø5.25"**

### LED SOURCE

- Field-replaceable integral LED module
- Field-changeable optic
- 17W / 1700lm, 80CRI / 3000K
- 22W / 2200lm, 80CRI / 3000K
- Accepts up to 2 or more optical accessories

### ELECTRICAL

- Field-replaceable integral LED driver
- Electrical wiring compartment integrated into housing construction
- Thermal protection
- Easy maintenance access through ceiling opening
- Rated for through-branch wiring
- Dimmable

### MOUNTING

- Butterfly brackets for commercial installation in drywall, wood, stone, acoustic tile, or other ceiling types
- Perforated plate adjusts for 1/2", 5/8", 3/4" & 1.0" ceiling thickness
- Heavy-Duty **L-Bars™** hanger bar system ordered separately  
**LF #LBARS4PK**

### LABELS

- Suitable for damp location

### Patent Pending

**5 YEAR WARRANTY**  
Limited



### ORDERING INFO

SERIES	WATTAGE	CRI / COLOR	BEAM	DRIVER	VOLTAGE	FINISH	OPTIONS
<b>6121-1CN-T</b>  IRIDE Recessed Die-Cast Aluminum Trim Adjustable Accent Trimmed Fixture Air-Tight Housing	<b>17L</b> 17W LED 1700 lm nom.	<b>8027</b> 80CRI / 2700K <b>8030</b> 80CRI / 3000K <b>8035</b> 80CRI / 3500K <b>8040</b> 80CRI / 4000K	<b>N</b> Narrow 22° <b>M</b> Medium 43° <b>W</b> Wide 58°	<b>D1</b> Phase Dimming (120V only) <b>D2</b> 0-10V Dimming (120-277V only) <b>D3</b> Lutron Hi-lume™* Forward Phase 2 wire 1% (120V only) <b>D4</b> Lutron Hi-lume™* EcoSystem™ & 3 wire 1% (120-277V only) <b>DE</b> Lutron Hi-lume™ EcoSystem™* 1% w/Soft-On, Fade-to-Black™ 1% (120-277V only)	<b>1</b> 120V <b>U</b> 120-277V	<b>BB</b> Black <b>WW</b> White	<b>CP</b> Chicago Plenum <b>EM</b> Emergency Relay
	<b>22L</b> 22W LED 2200 lm nom.	<b>9027</b> 90CRI / 2700K <b>9030</b> 90CRI / 3000K <b>9727</b> 97CRI / 2700K <b>9730</b> 97CRI / 3000K					

Ordering Example: **6121-1CN-T-22L-8027-N-D1-1-WW-CP**