

# VF150 Series Mini and Small SQUARE TRIMLESS SOLID CEILING FIXTURE INSTALLATION INSTRUCTIONS

## Warnings:

- \* Risk of fire or electric shock.
- \* **Disconnect all power before installing or servicing.**
- \* Installation Instructions for qualified electricians only.
- \* Install per National Electrical Code and local regulations.
- \* Read Installation Instructions completely before installation.
- \* Failure to follow Installation Instructions may void warranties.



THIS PRODUCT MUST BE INSTALLED IN ACCORDANCE WITH THE APPLICABLE INSTALLATION CODE BY A PERSON FAMILIAR WITH THE CONSTRUCTION AND OPERATION OF THE PRODUCT AND THE HAZARDS INVOLVED.

**Pre-Installation Note:** The trim and housing are packaged and shipped in separate cartons. Set the trim unit aside in a clean and undamaging environment. The trim unit will be put in place after housing / ceiling installation. For joist installations or where wiring access to housing is limited, it is advised to pre-wire the housing with leads before installation.

## Butterfly Mounting (Commercial):

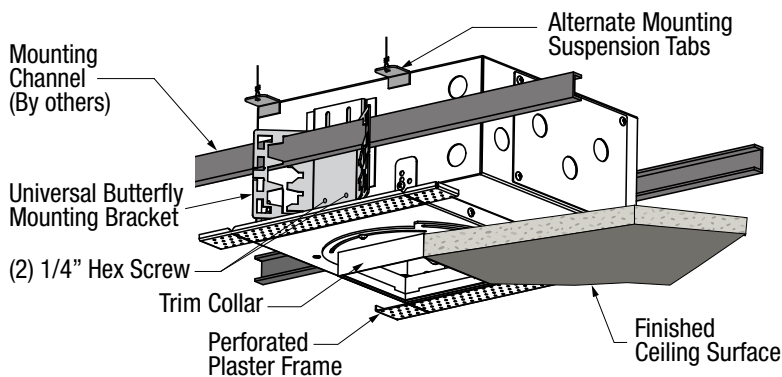
**Step 1.** Fixture comes equipped with Universal BUTTERFLY MOUNTING BRACKETS and take common 1" or 1-1/2" Black Iron or Galvanized MOUNTING CHANNELS (*Supplied By Others*).

**Step 2.** POSITION FIXTURE so the MOUNTING CHANNELS lie on top of ceiling runners.

**Step 3.** Fasten MOUNTING CHANNELS securely to the ceiling runners with wire tie downs.

**Step 4.** Secure MOUNTING CHANNELS to the UNIVERSAL BUTTERFLY MOUNTING BRACKETS with wire tie downs.

**Step 5.** ADJUST ELEVATION OF FIXTURE so that the surface of the PERFORATED HOUSING PLATE SITS FLUSH with the top of the finished ceiling surface. Fine adjustments can be made by loosening the two (2) 1/4" HEX SCREWS on both UNIVERSAL BUTTERFLY MOUNTING BRACKETS and set accordingly **Fig 1**. See FINE CEILING ADJUSTMENT **Fig 4**.



**FIGURE 1**

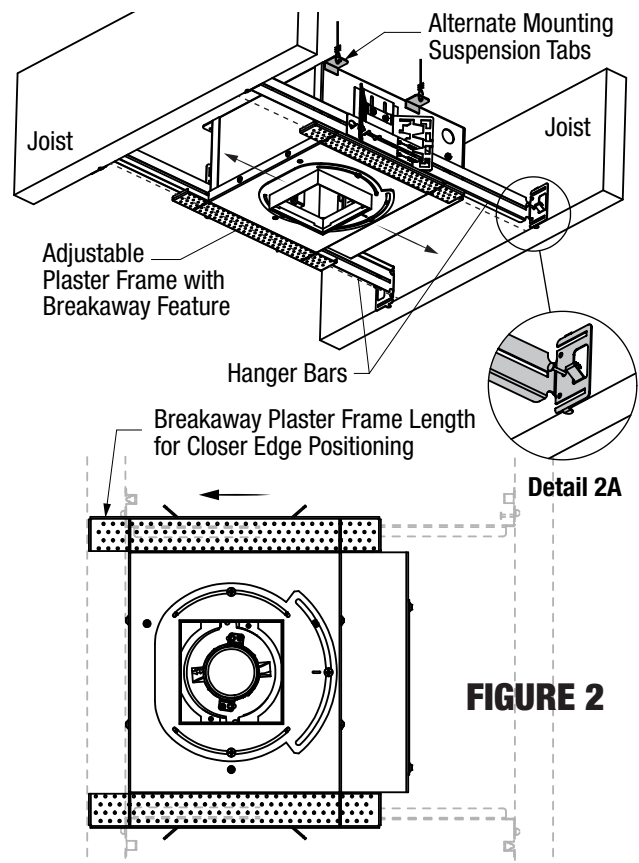
## Joist Installation:

*Includes Heavy-Duty L-Bars™ hanger bar system LF# LBARS4PK*

**Step 1.** Extend HANGER BARS to fit between joist and attach to joist or frame member using appropriate hardware for material. **See Fig 2, Detail 2A.**

**Step 2.** ADJUST ELEVATION OF FIXTURE so that the surface of the PERFORATED HOUSING PLATE SITS FLUSH with the top of the finished ceiling surface. **See Fig 1.**

**Step 3.** Position housing horizontally by sliding on hanger bars. Secure housing in position using wire tie downs. **See Fig 2.**



**FIGURE 2**

***It is IMPORTANT TO READ instruction sheet completely before installation***

# VF150 Series

## SQUARE SOLID CEILING FIXTURE

# INSTALLATION INSTRUCTIONS

### ELECTRICAL CONNECTION:

The housing features an easy access electrical compartment for simplified field wiring installation.

**DO NOT modify the factory wiring settings as it may cause the luminaire to malfunction.**

**Notes:** The cover panel knockouts will accept 3/4" trade size fittings. Review fixture labeling to make sure it is rated for the voltage installation being used.

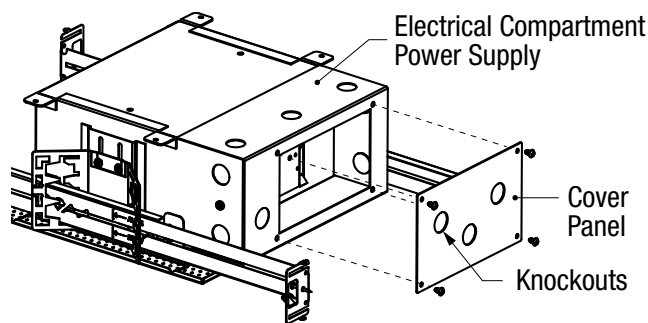
**Step 1.** Provide electrical service according to the "National Electrical Code" or your local electrical regulations from a suitable junction box. Supply wire insulation must be rated for at least 90°C.

**Step 2.** Remove electrical compartment cover panel **Fig 3**.

**Step 3.** Remove appropriate knockout and connect conduit with proper connector (*not included*).

**Step 4.** 120V or 277V AC Supply: Connect white to white, black to black and green (*from electrical service*) to the green copper wire located in the junction box. **Make sure no bare wires are exposed outside wire connectors.**

**Step 5.** Place all connections and excess wiring into the electrical compartment and reattach cover panel **Fig 3**.



**ELECTRICAL COMPARTMENT**  
**FIGURE 3**

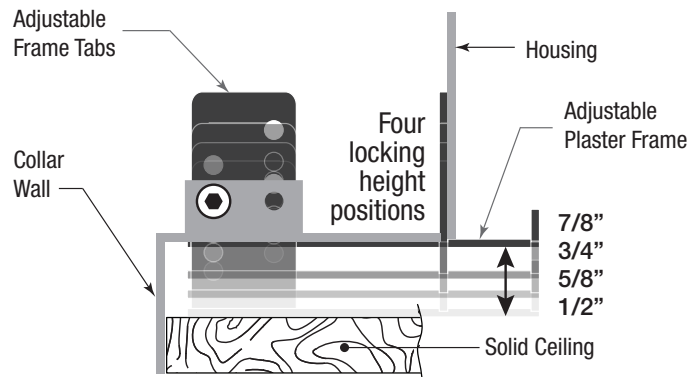
### CEILING INSTALLATION:

**Step 1.** The square housing has a unique ADJUSTABLE SQUARE COLLAR offering 45° rotation in each direction. This allows the trim to be perfectly squared up to its' environment, even if the housing is not. Loosen the set screws on the collar plate and rotate collar to desired position and tighten the set screws.

**Step 2.** CUT A CLEAN SQUARE OPENING in the CEILING MATERIAL to fit the trimless collar. Install the ceiling material below housing. The ceiling material is to be flush with the collar edge.

**Fig 1. Ceiling Cut-Out - Precision collar measurement is required.**

**Step 3.** PLASTER FRAME FINE CEILING ADJUSTMENT accommodates for 1/2", 5/8", 3/4" and 7/8" ceiling thickness. **See Fig 4.**



**FIGURE 4**

### LED MODULE INSTALLATION:

**Step 1.** PRIOR TO ASSEMBLING the LED module, the LED module carriage is 360° rotatable. It is suggested to set rotation to approximate position and secure in place using horizontal wing lock. Position vertical tilt to 0° and secure in place using vertical cam lock. **See Fig 6.**

**Step 2.** CONNECT LED MODULE TO POWER SUPPLY LINE and insert up through housing collar and into the adjustable housing carriage. Align module tab locks into carriage, push up and turn clockwise to set into place. **See Fig 5.**

### HOT AIMING:

**Step 1.** RELEASE CAM & WING LOCK TO FINE ADJUST HORIZONTAL ROTATION AND VERTICAL TILT AIMING. SET LOCKS when in desired positions.



**It is IMPORTANT TO READ instruction sheet completely before installation**

## Hot Aiming Cam-Lock Feature

0° - 40°  
Adjustable  
Hot Aiming

## Added Feature 45° Rotatable

Power Supply  
Line  
LED Module  
Connection

Suspension tabs  
Square Trim Housing  
Twist-Lock LED  
Module Receiver  
Square Rotatable  
Collar Plate

Safety cable

**Connect and Insert**  
Module Tab Locks

**Trimless Insert**  
Trimless insert w/Snap-in  
Spring Loaded Ball Plungers

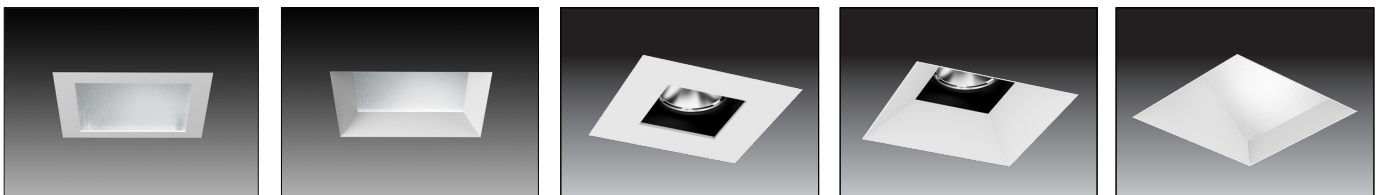
### TRIMLESS INSERT INSTALL:

**Step 1.** Verify that LED module is set into carriage and all hot aiming is set to desired position.

**Step 2.** Connect safety cable and push the trimless insert into collar. Trimless insert will snap into place via spring loaded ball catchers.

**FIGURE 5**

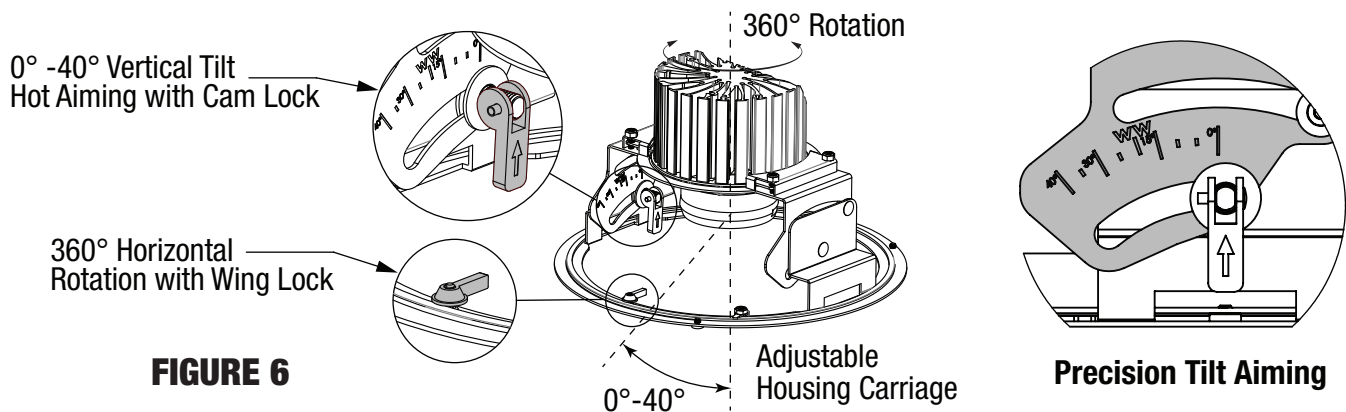
### TRIMLESS STYLES



**LARGE APERTURES**

**SMALL APERTURES**

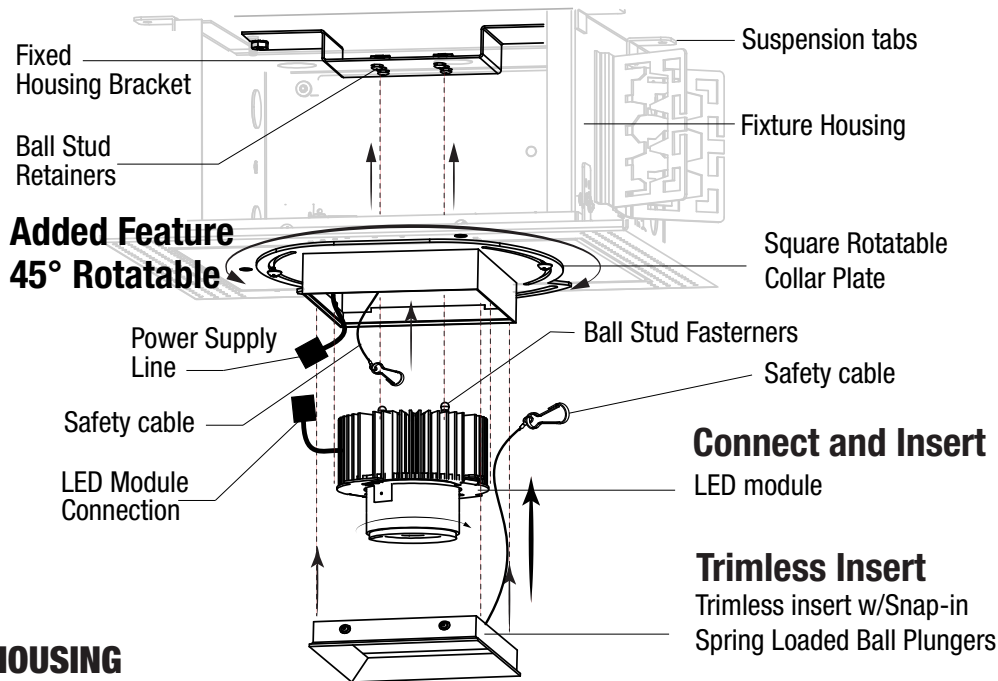
**WALL WASH**



**FIGURE 6**

**Precision Tilt Aiming**

# MINI & SMALL FIXED HOUSING



**FIXED HOUSING  
FIGURE 7**

## LED MODULE INSTALLATION:

**Step 1.** CONNECT LED MODULE TO POWER SUPPLY LINE. Insert up through housing collar and snap ball stud fasteners into ball stud retainer bracket at top of housing.

## TRIM INSTALLATION:

**Step 1.** Connect safety cable and push the trimless insert into collar. Trimless insert will snap into place via spring loaded ball catchers.

## LED WARNING:

LED's are sensitive electronic components and cannot be subjected to the excessive dust present during the construction process.

Only compressed air may be used to blow the dust from the components. The LED and heatsink may not be cleaned with any sort of a liquid or solvent. The COB array may not be touched or dusted. LEDs are ESD (Electro Static Discharge) sensitive devices that can be easily damaged if the proper ESD mitigating steps are not taken. LEDs are sensitive to mechanical damage, caution must be taken to avoid touching the LEDs. ESD or mechanical damage voids all warranties.

## CAUTION:

**ALL WORK MUST BE DONE WITH CIRCUIT OFF AND COMPONENTS SHOULD NOT BE INSTALLED WHEN ENERGIZED.**

