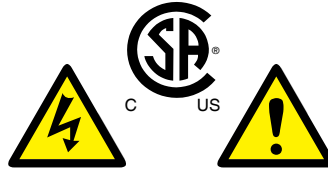


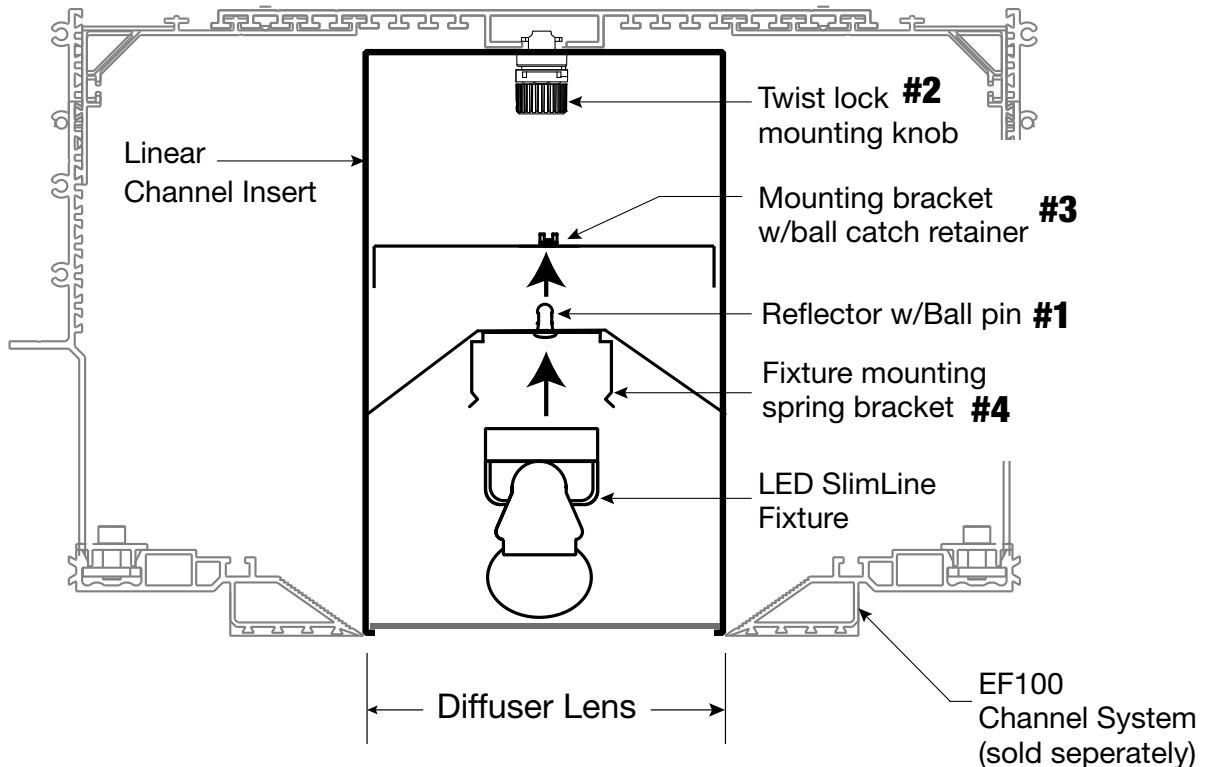
INSTALLATION INSTRUCTIONS

Warnings:

- * Risk of fire or electric shock.
- * Disconnect all power before installing or servicing.
- * Installation Instructions for qualified electricians only.
- * Install per National Electrical Code and local regulations.
- * Read Installation Instructions completely before installation.
- * Failure to follow Installation Instructions may void warranties.



THIS PRODUCT MUST BE INSTALLED IN ACCORDANCE WITH THE APPLICABLE INSTALLATION CODE BY A PERSON FAMILIAR WITH THE CONSTRUCTION AND OPERATION OF THE PRODUCT AND THE HAZARDS INVOLVED.



CHANNEL MOUNTING:

- 1. REMOVE REFLECTOR** from MOUNTING BRACKETS by pulling out to release from ballpin catch. Set reflector aside in a clean undamaging environment. **See item #1**
- 2. PLACE LINEAR CHANNEL** into the EF100 System. Turn the TWIST-LOCK mounting knobs counter clockwise and set channel flush to track. RELEASE TWIST-LOCK to set into place. **See item #2**

FIXTURE MOUNTING:

- 1. PLACE REFLECTOR** into mounting brackets and push to snap into ballpin catch. The reflector contains the fixture mounting spring brackets. **See item #3.**
- 2. SET THE FIXTURE** into the mounting spring brackets **See item #4.**