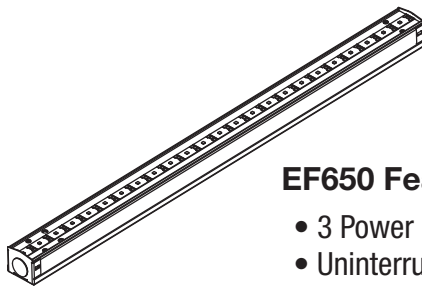
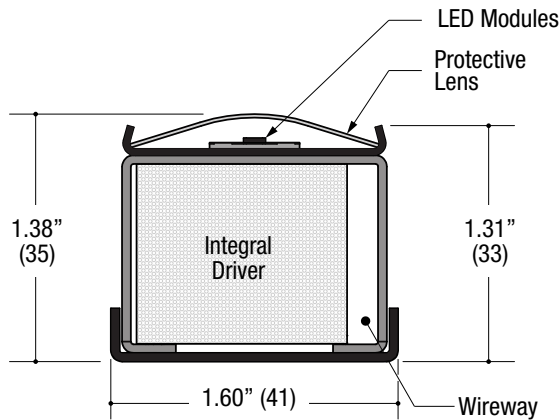


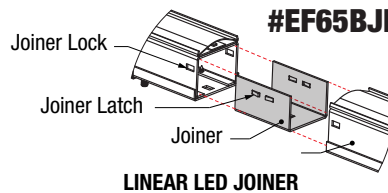
PROJECT	TYPE	CATALOG NUMBER
---------	------	----------------



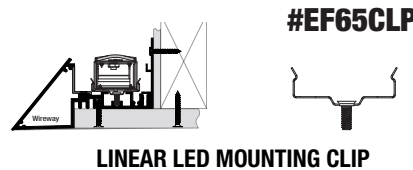
EF650 Features

- 3 Power levels up to 1130 del. lumens
- Uninterrupted illumination
- End-to-end continuous run

JOINER AND MOUNTING OPTIONS



LINEAR LED JOINER
Slips inside channel for uninterrupted illumination continuous runs.



LINEAR LED MOUNTING CLIP
Spring clip mounts to EF200 Series channels. (EFK1 & EFK2)

CONSTRUCTION

- 1.60" (41) wide x 1.38" (35) tall fabricated metal housing with protective lens
- Powder coat finish

LED Source

- Available at three power levels up to 1130 del. lumens per foot
- Tight binning ensures color consistency within 2 MacAdam ellipses
- Dense pitch for uniform output

OPTICS

- Symmetric distribution / protective lens

ELECTRICAL

- Field-replaceable integral LED driver
- Integral wiring compartment in housing
- Integral thermal protection
- Quick disconnect through wiring for continuous runs

MOUNTING

- Surface mount intended for installation in EF200 using #EF65CLP clip
- EF65CLP: 2X included for fixtures 4' or less, 3X included over 4' lengths
- Joiner option for end-to-end continuous uninterrupted illumination. 2 end caps provided for all run lengths ordered

LABELS

- Suitable for damp location



ORDERING INFO

SERIES	WATTAGE / FT	CRI / COLOR	LENS	DRIVER	LENGTH	VOLTAGE	FINISH	
EF65-B	04F 04W LED 452 del. lm / ft	8027 80CRI / 2700K	PL Protective Lens	D2 0-10V Dim. Driver (@ 120-277V only)	018 18" 1.5ft	1 120V	WW White	
		8030 80CRI / 3000K			024 24" 2ft			
	08F 08W LED 904 del. lm / ft	8035 80CRI / 3500K			D3 Lutron Hi-Lume™ Forward Phase 1% (@ 120V only)			036 36" 3ft
		8040 80CRI / 4000K			DE Lutron Hi-Lume™ EcoSystem™ 1% with SoftOn, Fade-to-Black™ (@ 120-277 only)			048 48" 4ft
		9027 90CRI / 2700K						060 60" 5ft
12F 12W LED 1130 del. lm / ft Delivered @ 80CRI / 3000K	9030 90CRI / 3000K	D8 Dimmable DALI 1% LED driver (@ 120-277 only)	072 72" 6ft					
	9035 90CRI / 3500K		096 96" 8ft					
EF65-B			PL				WW	

Ordering Example: **EF65-B-04F-8027-PL-D2-048-U-WW**