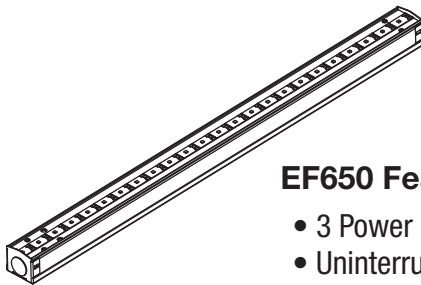
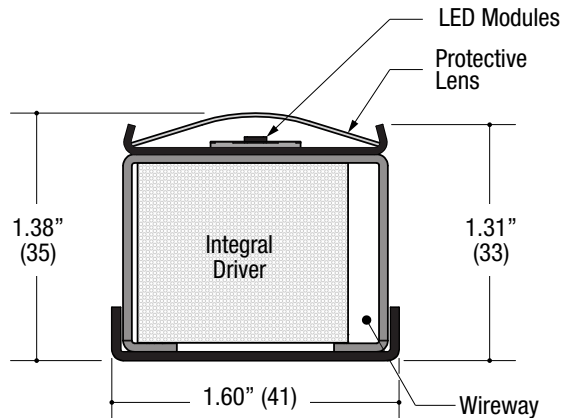


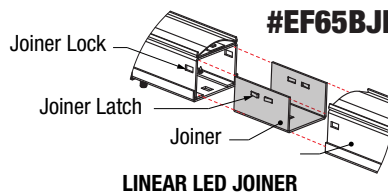
|         |      |                |
|---------|------|----------------|
| PROJECT | TYPE | CATALOG NUMBER |
|---------|------|----------------|



### EF650 Features

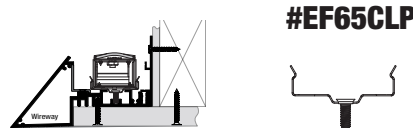
- 3 Power levels up to 1200 lumens
- Uninterrupted illumination
- End-to-end continuous run

### JOINER AND MOUNTING OPTIONS



#### LINEAR LED JOINER

Slips inside channel for uninterrupted illumination continuous runs.



#### LINEAR LED MOUNTING CLIP

Spring clip mounts to EF200 Series channels. (EFK1 & EFK2)

### CONSTRUCTION

- 1.60" (41) wide x 1.38" (35) tall fabricated metal housing with protective lens
- Powder coat finish

### LED Source

- Available at three power levels up to 1200 lumens per foot
- Tight binning ensures color consistency within 2 MacAdam ellipses
- Dense pitch for uniform output

### OPTICS

- Symmetric distribution / protective lens

### ORDERING INFO

| SERIES  | WATTAGE / FT  | CRI / COLOR        | LENS                         | DRIVER  | LENGTH        | VOLTAGE                    | FINISH      |
|---|---|--------------------|------------------------------|---|---------------|----------------------------|-------------|
| EF65-B<br>EF650<br>Small LED<br>Surface mount | 04F 04W LED<br>440 lm / ft<br>nom.<br><br>08F 08W LED<br>800 lm / ft<br>nom.<br><br>12F 12W LED<br>1200 lm / ft<br>nom. | 8027 80CRI / 2700K | PL<br><br>Protective<br>Lens | D2 0-10V Dim. Driver  | 018 18" 1.5ft | 1<br>120V<br>U<br>120-277V | WW<br>White |
|   |   | 8030 80CRI / 3000K |                              | D3 Lutron Hi-lume™ Forward Phase (120V only)                        | 024 24" 2ft   |                            |             |
|   |   | 8035 80CRI / 3500K |                              | D4 Lutron Hi-lume™ 3 wire (1%) (120-277 only)                       | 036 36" 3ft   |                            |             |
|   |   | 8040 80CRI / 4000K |                              | E4 Dimmable Lutron Hi-lume™ 1% EcoSystem™ LED driver (120-277 only) | 048 48" 4ft   |                            |             |
|   |   | 9027 90CRI / 2700K |                              | D8 Dimmable DALI 1% LED driver (120-277 only)                       | 060 60" 5ft   |                            |             |
| 9030 90CRI / 3000K                            |   | 072 72" 6ft        |                              |   |               |                            |             |
| 9035 90CRI / 3500K                            |   | 096 96" 8ft        |                              |   |               |                            |             |
| EF65-B  |   |                    | PL                           |   |               |                            | WW          |

Ordering Example: **EF65-B-04F-8027-PL-D2-048-U-WW**

### ELECTRICAL

- Field-replaceable integral LED driver
- Integral wiring compartment in housing
- Integral thermal protection
- Quick disconnect through wiring for continuous runs

### MOUNTING

- Surface mount intended for installation in EF200 using #EF65CLP
- EF65CLP: 2X included for fixtures 4' or less, 3X included over 4' lengths
- Joiner option for end-to end continuous uninterrupted illumination. 2 end caps provided for all run lengths ordered

### LABELS

- Suitable for damp location

