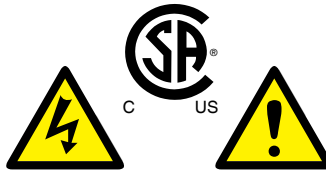


Warnings:

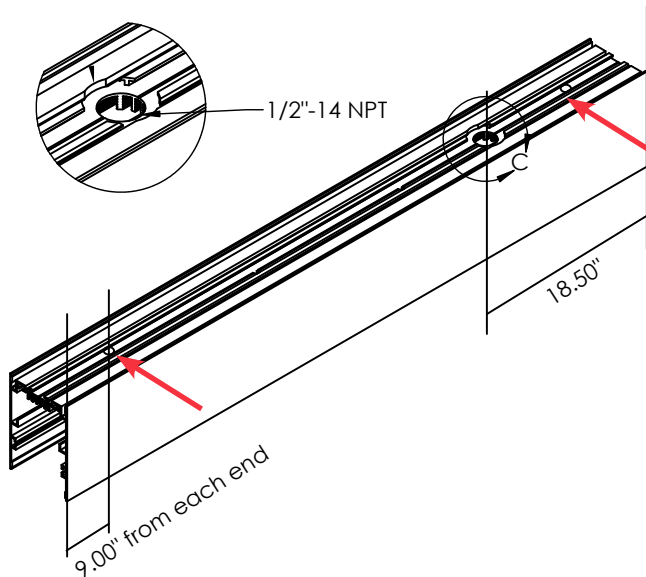
- * Risk of fire or electric shock.
- * Disconnect all power before installing or servicing.
- * Installation Instructions for qualified electricians only.
- * Install per National Electrical Code and local regulations.
- * Read Installation Instructions completely before installation.
- * Failure to follow Installation Instructions may void warranties.



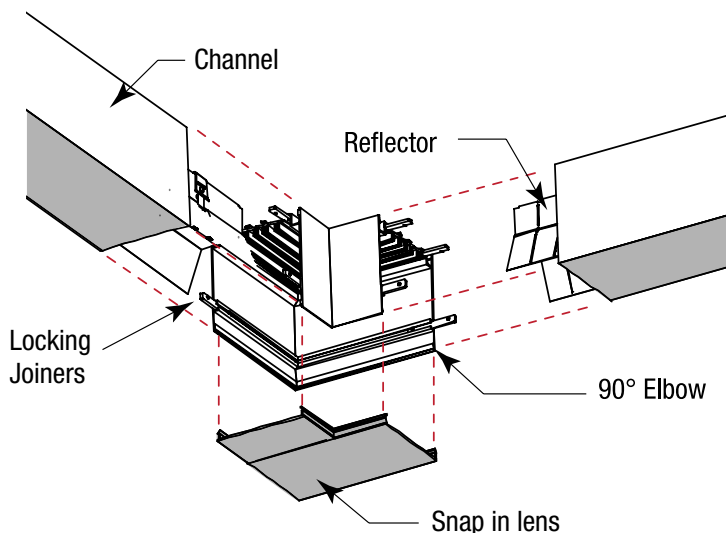
THIS PRODUCT MUST BE INSTALLED IN ACCORDANCE WITH THE APPLICABLE INSTALLATION CODE BY A PERSON FAMILIAR WITH THE CONSTRUCTION AND OPERATION OF THE PRODUCT AND THE HAZARDS INVOLVED.

SURFACE MOUNTING:

1. The housing has (2) .218 Dia. holes 9" from each end for fastening to surface.
2. Use toggle or anchor bolts to fasten to drywall or applicable fastener for ceiling surface type.
3. Once all fixtures are in place & connected, then install any missing end caps.



CORNER DETAIL:

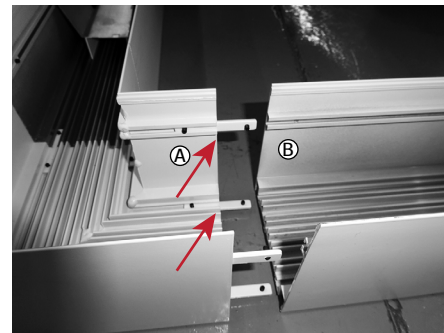


ELECTRICAL CONNECTION:

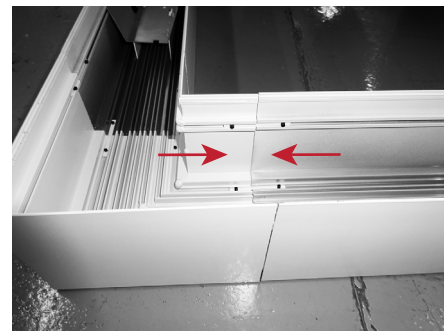
Once the fixture is installed and securely mounted over stub, conduit or wires, feed wires through feed hole. Make wiring connections to electrical tray and set electrical tray into place. Snap on diffuser lens into fixture.

DO NOT modify the factory wiring settings as it may cause the luminaire to malfunction. Provide electrical service, according to the "National Electrical Code" or your local electrical code, from a suitable junction box (octagonal junction box recommended).

Notes: Review fixture labeling to make sure it is rated for the voltage installation being used. Supply wire insulation must be rated for at least 90° C.



1 Extend the alignment/locking joiners mid way



2 Slide corresponding channels together and fasten