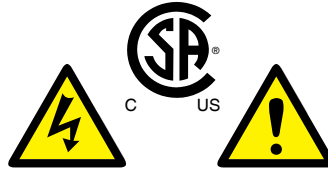


Warnings:

- * Risk of fire or electric shock.
- * Disconnect all power before installing or servicing.
- * Installation Instructions for qualified electricians only.
- * Install per National Electrical Code and local regulations.
- * Read Installation Instructions completely before installation.
- * Failure to follow Installation Instructions may void warranties.



THIS PRODUCT MUST BE INSTALLED IN ACCORDANCE WITH THE APPLICABLE INSTALLATION CODE BY A PERSON FAMILIAR WITH THE CONSTRUCTION AND OPERATION OF THE PRODUCT AND THE HAZARDS INVOLVED.

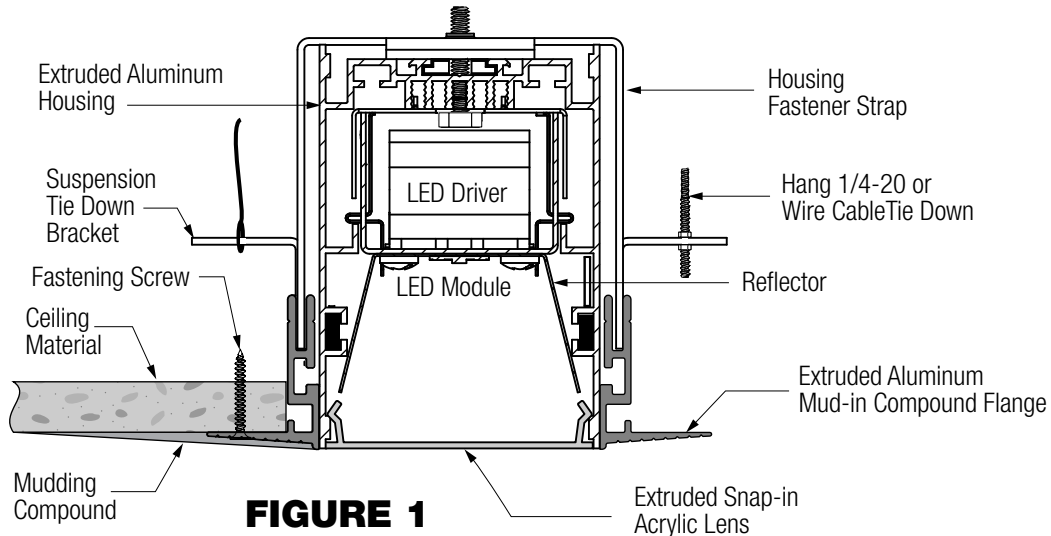


FIGURE 1

ASSEMBLY NOTE: The EF300 Recessed Series primarily consist of 4 major components A, B, C, and D. See Fig. 2 & Fig. 3. This system is designed for ease of installation. *IT IS IMPORTANT TO READ INSTRUCTION SHEET COMPLETELY BEFORE INSTALLATION.*

A - SUSPENDED HANGER ASSEMBLY:

1. SUSPEND HANGER ASSEMBLY IN PLACE using 1/4-20 all thread or wire cable tie downs. Suspension tie down bracket locations vary. Typically 6" from each end on each side of housing.
2. When SETTING HANGER ASSEMBLY be sure the top of the mud-in compound flange is flush to the bottom of the finished ceiling height. See Fig 1

B - EF300 HOUSING INSERT:

1. SLIDE FIXTURE HOUSING INTO HANGER ASSEMBLY and fasten into place using hardware provided. Pre-set mounting locations match housing fastener strap. See Fig 1.
2. Fasten mud-in compound flange to ceiling. *PRIOR TO FASTENING MUD-IN COMPOUND FLANGE*, place lens into housing to ensure proper housing to lens width. *MUST TEST LENS FIT BEFORE MUD-IN.* Secure using drywall screws (provided by others). Screw through the flange and into the drywall. REMOVE LENS, tape and mud-in to trim edge spreading mudding compound a minimum of 6" onto finished ceiling. See Fig 1.

C - OPTICAL ASSEMBLY AND POWER SUPPLY:

1. INSERT OPTICAL & POWER SUPPLY ASSEMBLY by inserting up into the housing cavity. There is a tension clip on each side of driver housing, squeeze/compress and push up past inner housing tabs and release. This will lock assembly into place See Fig 3.

D - EXTRUDED ACRYLIC LENS:

1. SNAP-IN LENS once all housing and inner components have been set in place, wiring complete and mud-in finished. Gently push lens into housing until formed tabs snap-in to place.

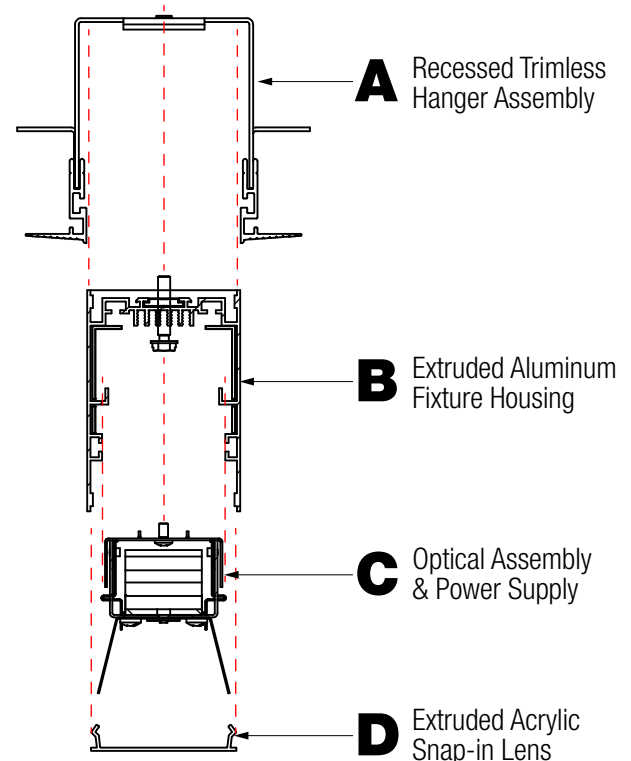
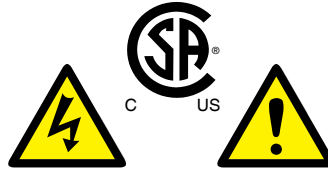


FIGURE 2

Warnings:

- * Risk of fire or electric shock.
- * **Disconnect all power before installing or servicing.**
- * Installation Instructions for qualified electricians only.
- * Install per National Electrical Code and local regulations.
- * Read Installation Instructions completely before installation.
- * Failure to follow Installation Instructions may void warranties.



THIS PRODUCT MUST BE INSTALLED IN ACCORDANCE WITH THE APPLICABLE INSTALLATION CODE BY A PERSON FAMILIAR WITH THE CONSTRUCTION AND OPERATION OF THE PRODUCT AND THE HAZARDS INVOLVED.

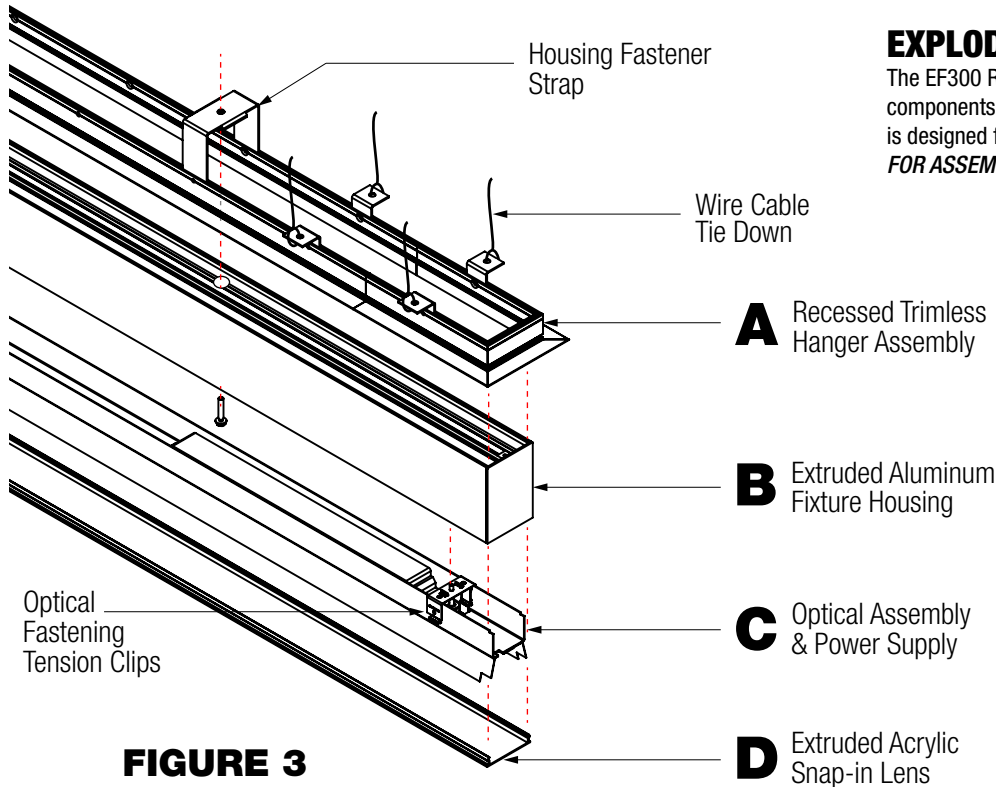


FIGURE 3

EXPLODED ASSEMBLY VIEW:

The EF300 Recessed Series primarily consist of 4 major components A, B, C, and D. See Fig. 2 & Fig. 3. This system is designed for ease of installation. FOR ASSEMBLY SEQUENCE SEE PAGE ONE.

CONNECTING FOR CONTINUOUS RUNS:

Loosen and extend internal connecting joiners half way and lock in position. Slide corresponding channel onto exposed joiner and lock into place. See Fig. 4 steps 1 & 2.

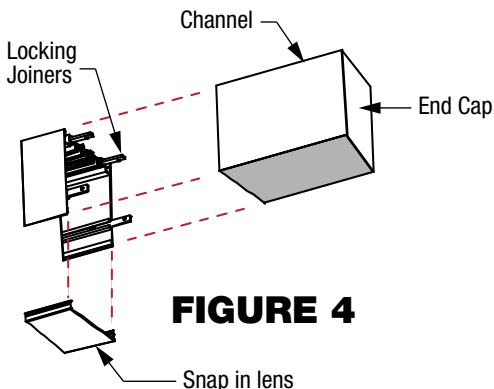
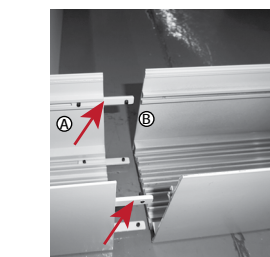
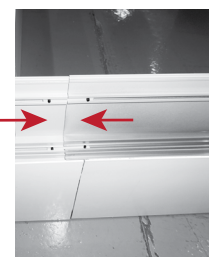


FIGURE 4



1 Extend the alignment/locking joiners mid way



2 Slide corresponding channels together and fasten

NOTE: ALL WORK MUST BE DONE WITH CIRCUIT OFF AND COMPONENTS SHOULD NOT BE INSTALLED WHEN FIXTURE IS ENERGIZED.