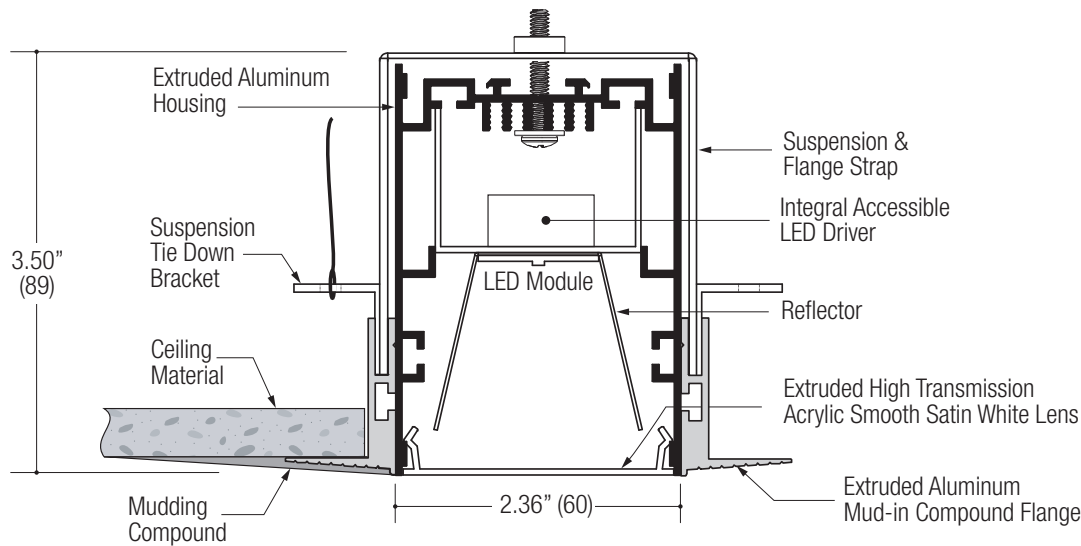


PROJECT	TYPE	CATALOG NUMBER
---------	------	----------------

Measurements in ( ) are metric equivalents.



**EF300 Series  
RECESSED TRIMLESS**

**Perfect Fit® technology** Engineered to provide seamless lighting in any length, the fixture can be ordered to the nearest inch. Contractor cuttable design insures perfect installations with minimal coordination by allowing the electrician to trim up to six inches from the length of fixture during installation.

#### CONSTRUCTION

- 2.36" (60) wide x 3.50" (89) tall extruded aluminum housing
- Die-cast aluminum end caps with concealed fasteners
- Locking joiners allow units to be connected for long straight runs
- Powder coat finish

#### LED Source

- Available at three power levels up to 1000 lumens per foot
- Tight binning ensures color consistency within 2 MacAdam ellipses
- Dense pitch for uniform output

#### OPTICS

- Smooth satin white extruded acrylic lens
- Integral bright white reflector

#### ELECTRICAL

- Field-replaceable integral LED driver
- Integral wiring compartment
- Integral thermal protection
- Easy maintenance access via lens assembly
- Quick disconnect through wiring for continuous runs

#### MOUNTING

- Recessed housing suspension frame with extruded aluminum mud-in compound flange

#### LABELS

- Suitable for damp location

#### COMPONENTS

- See pages 2 and 3 for EF300 components (ie, L's, T's, End Caps, Mountings, etc.)

**5 YEAR  
WARRANTY**  
Limited



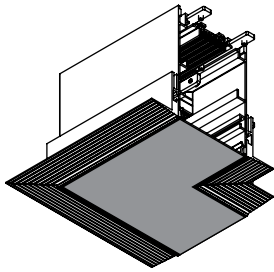
#### ORDERING INFO

SERIES	WATTAGE / FT	CRI / COLOR	LENS	DRIVER	LENGTH	VOLTAGE	FINISH	CONFIG.
<b>EF3-B-S</b>  EF300 Small LED Recessed Trimless	<b>04F</b> 04W LED 440 lm / ft nom.	<b>8027</b> 80CRI / 2700K	<b>LN</b> Satin white lens	<b>D2</b> 0-10V Dim. Driver (120-277V only)	<b>024</b> 24" 2ft	<b>1</b> 120V	<b>BB</b> Black	<b>COM</b> Complete Run
		<b>8030</b> 80CRI / 3000K			<b>036</b> 36" 3ft			
		<b>8035</b> 80CRI / 3500K			<b>048</b> 48" 4ft			
	<b>08F</b> 08W LED 800 lm / ft nom.	<b>8040</b> 80CRI / 4000K	<b>CV*</b> Aluminum cover	<b>D3</b> Lutron Hi-lume™ Forward Phase 2 wire 1% (120V only)	<b>096</b> 96" 8ft	<b>U</b> 120-277V	<b>XX</b> Custom	<b>EXT</b> Middle of Run
		<b>9027</b> 90CRI / 2700K			<i>Consult factory for custom lengths or patterns</i>			
<b>12F</b> 12W LED 1200 lm / ft nom.	<b>9030</b> 90CRI / 3000K	<b>D4</b> Lutron Hi-lume™ 3 wire 1% (120-277V only)	<b>E4</b> Dimmable Lutron Hi-lume™ 1% EcoSystem™ LED driver (120-277V only)	<b>0</b> None		<b>END</b> End of Run		
	<b>9035</b> 90CRI / 3500K							
<b>000*</b> None - cover required	<i>Consult factory for other CRI / Color options</i>		<b>NA</b> None					
<b>EF3-B-S</b>								

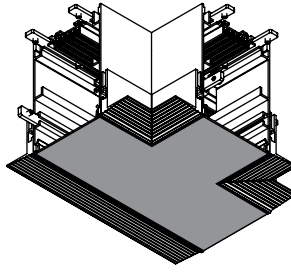
Ordering Example: **EF3-B-S-04F-8027-LN-D2-024-1-BB-COM**

PROJECT	TYPE	CATALOG NUMBER
---------	------	----------------

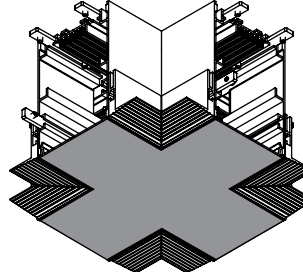
Measurements in ( ) are metric equivalents.



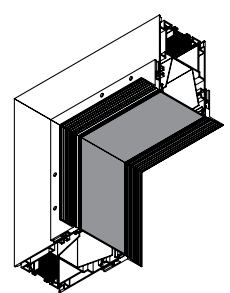
**ELL**  
90° Elbow  
Horizontal



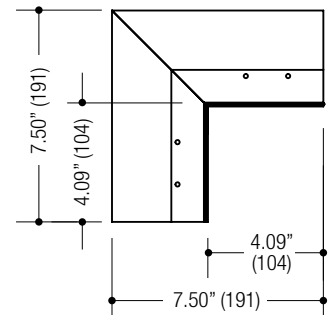
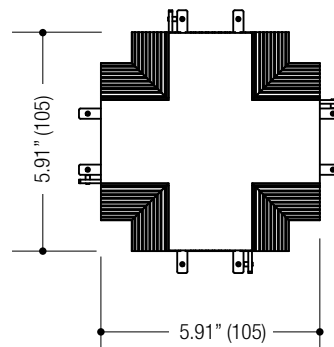
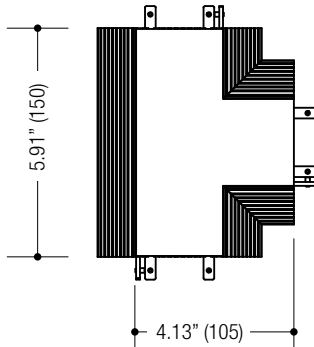
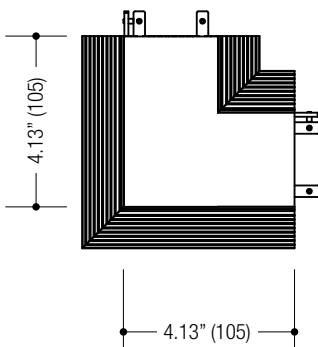
**TEE**  
90° 3-Way  
Connection



**4WY**  
90° 4-Way  
Connection



**VEL**  
90° Elbow  
Vertical



***FOR LIT CORNER OPTIONS CONSULT FACTORY***

**5 YEAR  
WARRANTY**  
Limited



**ORDERING INFO**

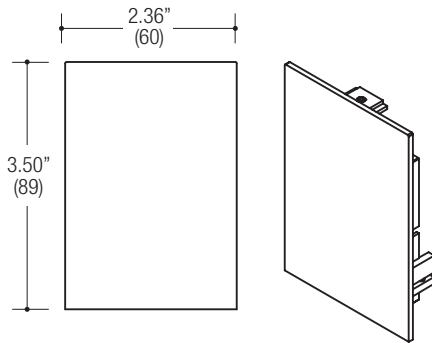
SERIES	WATTAGE / FT	CRI / COLOR	LENS	DRIVER	TYPE	VOLTAGE	FINISH
<b>EF3-B-S</b>	<b>000*</b> None - Cover Required	<b>0000*</b> None - Cover Required	<b>CV*</b> Aluminum Cover	<b>NA</b> None	<b>ELL</b> (Unlit) 90° Elbow Horizontal <b>TEE</b> (Unlit) "T" 3-WAY <b>4WY</b> (Unlit) "X" 4-WAY <b>VEL</b> (Unlit) 90° Elbow Vertical	<b>0</b> None	<b>BB</b> Black <b>WW</b> White <b>XX</b> Custom
<b>EF300</b> Small LED Recessed Trimless							
<b>EF3-B-S</b>							

Ordering Example: **EF3-B-S-000-0000-CV-NA-ELL-0-BB**

PROJECT	TYPE	CATALOG NUMBER
---------	------	----------------

Measurements in ( ) are metric equivalents.

**ENDC**  
End Cap



**ORDERING INFO**

SERIES	FINISH
<b>EF3-B-S-ENDC</b> END CAP Small LED Recessed Trimless	<b>BB</b> Black <b>WW</b> White <b>XX</b> Custom
<b>EF3-B-S-ENDC</b>	

Ordering Example: **EF3-B-S-ENDC-BB**