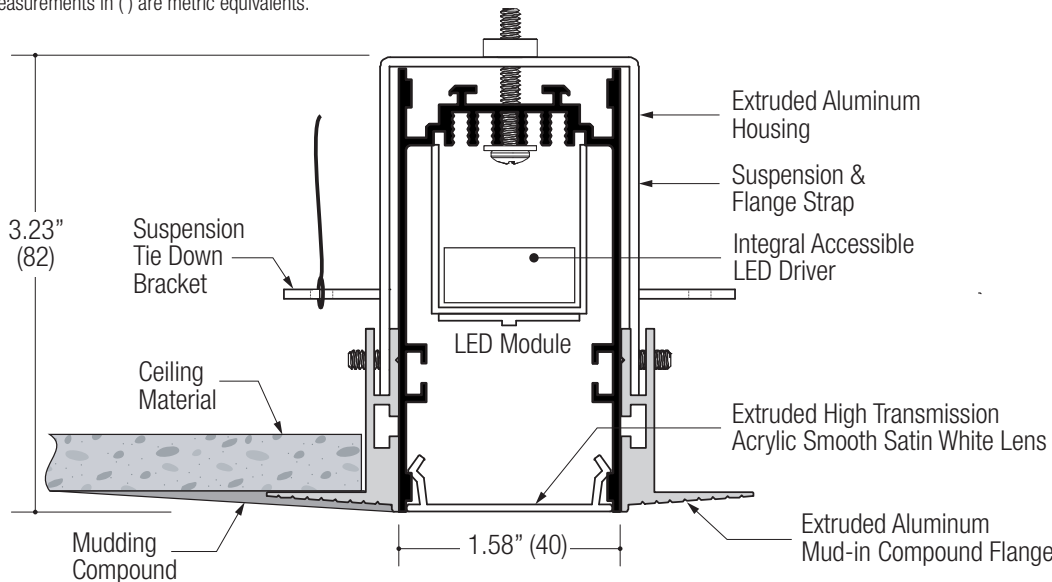


PROJECT	TYPE	CATALOG NUMBER
---------	------	----------------

Measurements in () are metric equivalents.



**EF300 Series
RECESSED TRIMLESS**

Perfect Fit® technology Engineered to provide seamless lighting in any length, the fixture can be ordered to the nearest inch. Contractor cuttable design insures perfect installations with minimal coordination by allowing the electrician to trim up to six inches from the length of fixture during installation.

CONSTRUCTION

- 1.58" (40) wide x 3.23" (82) tall extruded aluminum housing
- Extruded aluminum mud-in compound flange
- Die-cast aluminum end caps with concealed fasteners
- Locking joiners allow units to be connected for long straight runs
- Powder coat finish

LED Source

- Available at three power levels up to 1000 lumens per foot
- Tight binning ensures color consistency within 2 MacAdam ellipses
- Dense pitch for uniform output

OPTICS

- Smooth satin white extruded acrylic lens

ELECTRICAL

- Field-replaceable integral LED driver
- Integral wiring compartment
- Integral thermal protection
- Easy maintenance access via lens assembly
- Quick disconnect through wiring for continuous runs

MOUNTING

- Recessed housing suspension frame with extruded aluminum mud-in compound flange

LABELS

- Suitable for damp location

COMPONENTS

- See pages 2 & 3 for EF300 components (ie, L's, T's, End Caps, etc.)

5 YEAR WARRANTY
Limited



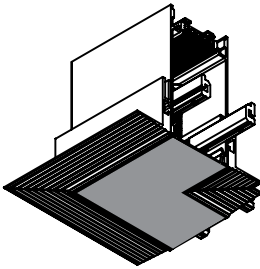
ORDERING INFO

SERIES	WATTAGE / FT	CRI / COLOR	LENS	DRIVER	LENGTH	VOLTAGE	FINISH	CONFIGURATION		
EF3-A-S EF300 Mini LED Recessed Trimless	04F 04W LED 440 lm / ft nom.	8027 80CRI / 2700K	LN Satin white lens	D2 0-10V Dim. Driver (120-277V only)	024 24" 2ft	1 120V	BB Black	COM Complete Run		
		8030 80CRI / 3000K							D3 Lutron Hi-lume™ Forward Phase 2 wire 1% (120V only)	036 36" 3ft
	8035 80CRI / 3500K	CV* Aluminum cover	048 48" 4ft	XX Custom	END End of Run					
	8040 80CRI / 4000K					D4 Lutron Hi-lume™ 3 wire 1% (120-277V only)	096 96" 8ft	<i>Consult factory for custom lengths or patterns</i>		
	9027 90CRI / 2700K	E4 Dimmable Lutron Hi-lume™ 1% EcoSystem™ LED driver (120-277V only)								
9030 90CRI / 3000K	NA None									
9035 90CRI / 3500K										
	12F 12W LED 1200 lm / ft nom.	0000* None - Lens cover required								
	000* None - cover required	<i>Consult factory for other CRI / Color options</i>								
EF3-A-S										

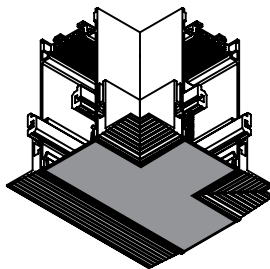
Ordering Example: **EF3-A-S-04F-8027-LN-D2-024-1-BB-COM**

PROJECT	TYPE	CATALOG NUMBER
---------	------	----------------

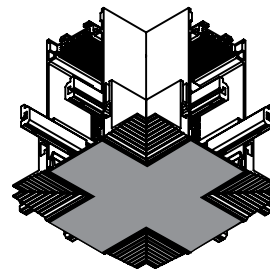
Measurements in () are metric equivalents.



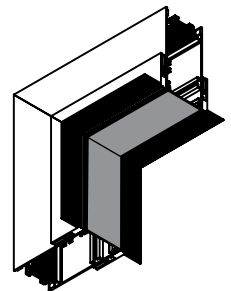
ELL
90° Elbow
Horizontal



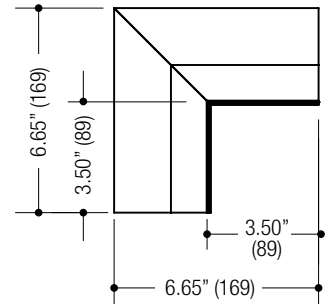
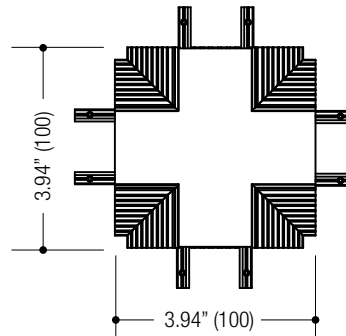
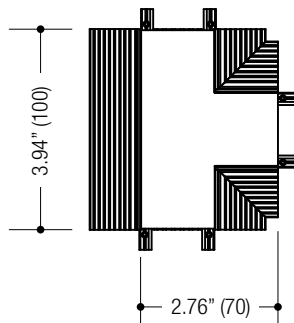
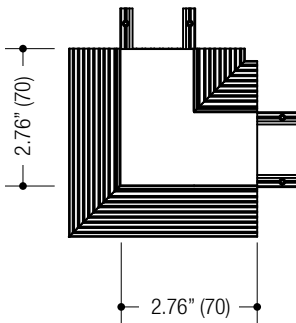
TEE
90° 3-Way
Connection



4WY
90° 4-Way
Connection



VEL
90° Elbow
Vertical



FOR LIT CORNER OPTIONS CONSULT FACTORY

5 YEAR WARRANTY
Limited



ORDERING INFO

SERIES	WATTAGE / FT	CRI / COLOR	LENS	DRIVER	TYPE	VOLTAGE	FINISH
EF3-A-S	000* None - Cover Required	0000* None - Cover Required	CV* Aluminum Cover	NA None	ELL (Unlit) 90° Elbow Horizontal TEE (Unlit) "T" 3-WAY 4WY (Unlit) "X" 4-WAY VEL (Unlit) 90° Elbow Vertical	0 None	BB Black WW White XX Custom
EF300 Mini LED Recessed Trimless							
EF3-A-S							

Ordering Example: **EF3-A-S-000-0000-CV-NA-ELL-0-BB**

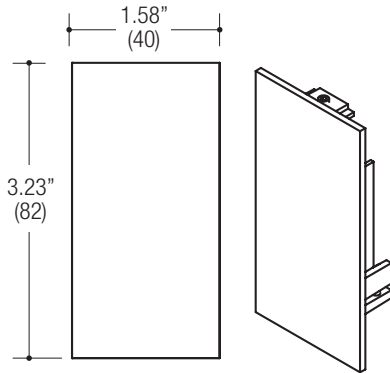
PROJECT

TYPE

CATALOG NUMBER

Measurements in () are metric equivalents.

ENDC
End Cap



ORDERING INFO

SERIES	FINISH
EF3-A-S-ENDC END CAP Mini LED Recessed Trimless	BB Black WW White XX Custom
EF3-A-S-ENDC	

Ordering Example: **EF3-A-S-ENDC-BB**