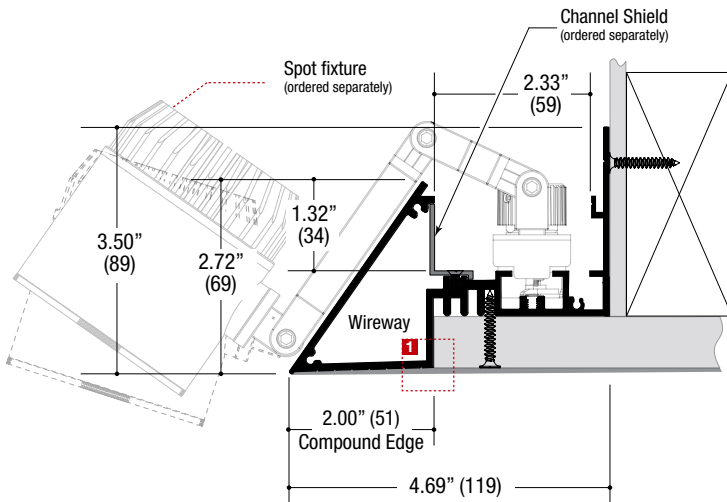


PROJECT	TYPE	CATALOG NUMBER
---------	------	----------------



EFK1

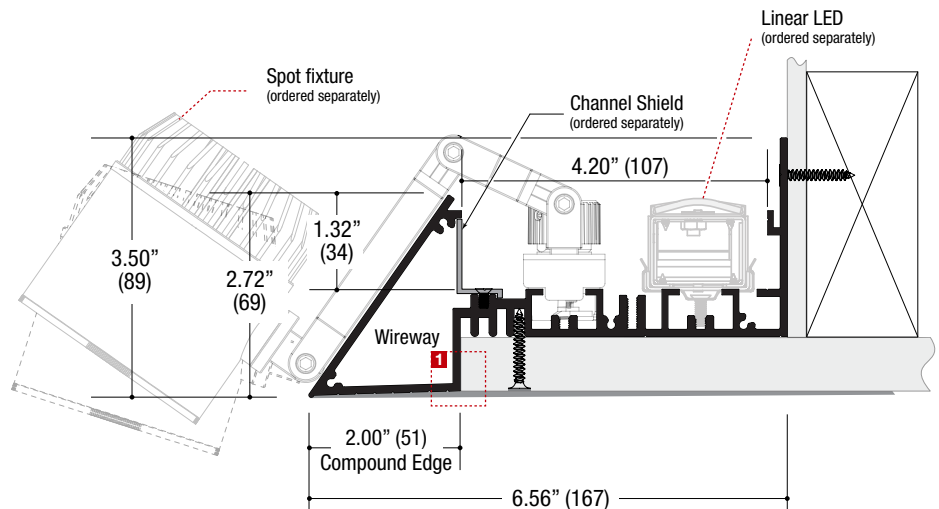
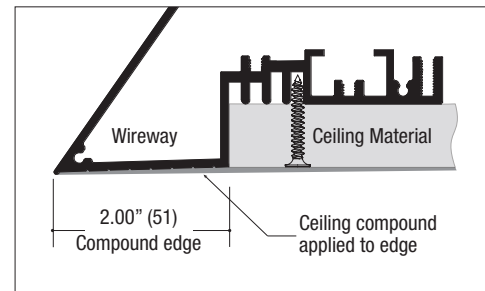
EFK1 APPLICATION

- Single Channel Extrusion
- For use with EF208 fixtures

TRIMLESS EDGE

- Extruded aluminum construction
- Field cuttable
- Powder coat finish

Patents Pending



EFK2

EFK2 APPLICATION

- Dual Channel Extrusion
- For use with EF208 fixtures can be used in conjunction with EF650 Linear LED (Shown)
- Accepts EF600 Cove Lighting (No EF208)

TRIMLESS EDGE

- Extruded aluminum construction
- Field cuttable
- Powder coat finish

Patents Pending

ORDERING INFO

SERIES	LENGTH	FINISH
EFK1 SINGLE CHANNEL Extruded Aluminum	048 4' length	BB Black
	072 6' length	WW White
	096 8' length	XX Custom
	120 10' length	
EFK2 DUAL CHANNEL Extruded Aluminum		

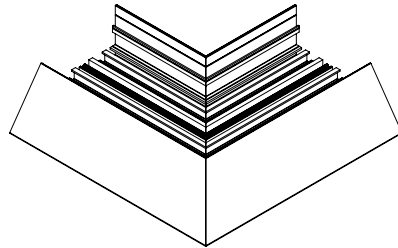
Ordering Example: **EFK1-048-BB**

PROJECT

TYPE

CATALOG NUMBER

EFK21L90U
(Single Channel)
EFK22L90U
(Dual Channel)



Outside Corner 90°

APPLICATION

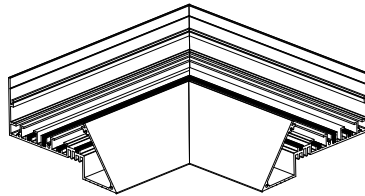
- Outside corner
- Use with EFK1 / EFK2 channel

TRIMLESS EDGE

- Extruded aluminum construction
- Powder coat finish

Patents Pending

EFK21L90N
(Single Channel)
EFK22L90N
(Dual Channel)



Inside Corner 90°

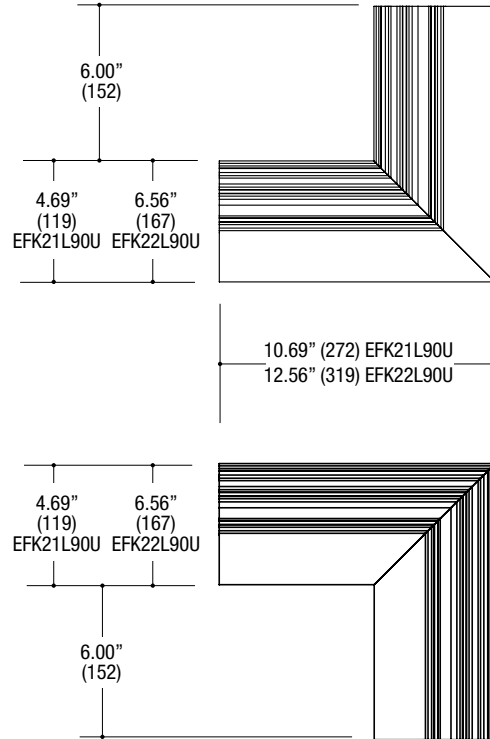
APPLICATION

- Inside corner
- Use with EFK1 / EFK2 channel

TRIMLESS EDGE

- Extruded aluminum construction
- Powder coat finish

Patents Pending



ORDERING INFO

SERIES	FINISH
EFK21L90U OUTSIDE CORNER 90° Single Channel Meets EFK1 Channel	BB Black WW White XX Custom
EFK22L90U OUTSIDE CORNER 90° Dual Channel Meets EFK2 Channel	Custom Angles Available

Ordering Example: **EFK21L90U-BB**



ORDERING INFO

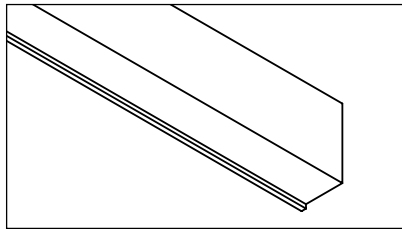
SERIES	FINISH
EFK21L90N INSIDE CORNER 90° Single Channel Meets EFK1 Channel	BB Black WW White XX Custom
EFK22L90N INSIDE CORNER 90° Dual Channel Meets EFK2 Channel	Custom Angles Available

Ordering Example: **EFK21L90N-BB**

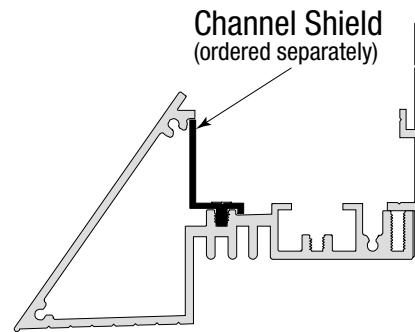
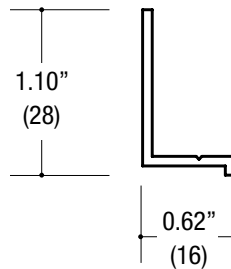
PROJECT	TYPE	CATALOG NUMBER
---------	------	----------------

EFXSH CHANNEL SHIELD

Meets EFK1 / EFK2 Channel
No Finish



EFXSH



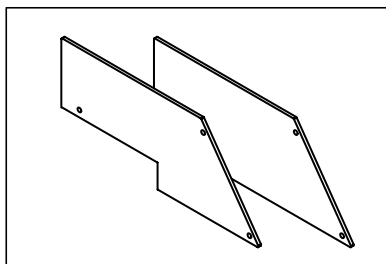
ORDERING INFO

SERIES	
EFXSH CHANNEL SHIELD Meets EFK1 / EFK2 Channel Extrusions	096 Channel Shield 8'

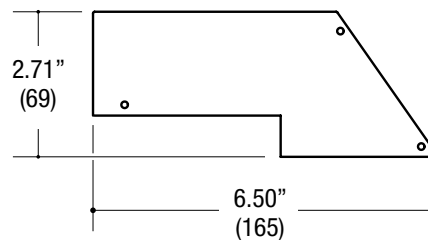
Ordering Example: **EFXSH-096**

EFK2XC

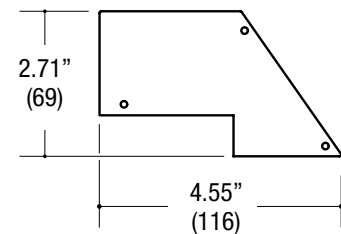
Channel End Caps Sets
Meets EFK1 / EFK2 Channel



EFK22C



EFK21C



ORDERING INFO

SERIES	FINISH
EFK21C Single Channel End Cap Set	BB Black WW White XX Custom
EFK22C Dual Channel End Cap Set	

Ordering Example: **EFK21C-BB**

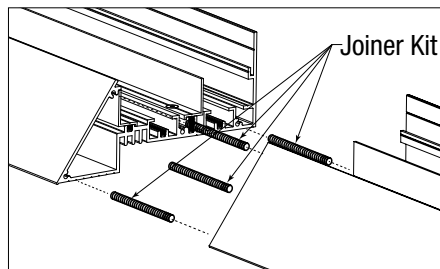


PROJECT

TYPE

CATALOG NUMBER

EFXJN
CHANNEL JOINER KIT
Meets EFK1 / EFK2 Channel
No Finish



ORDERING INFO

SERIES
EFXJN CHANNEL JOINER KIT Meets EFK1 / EFK2 Channel Extrusions

Ordering Example: **EFXJN**