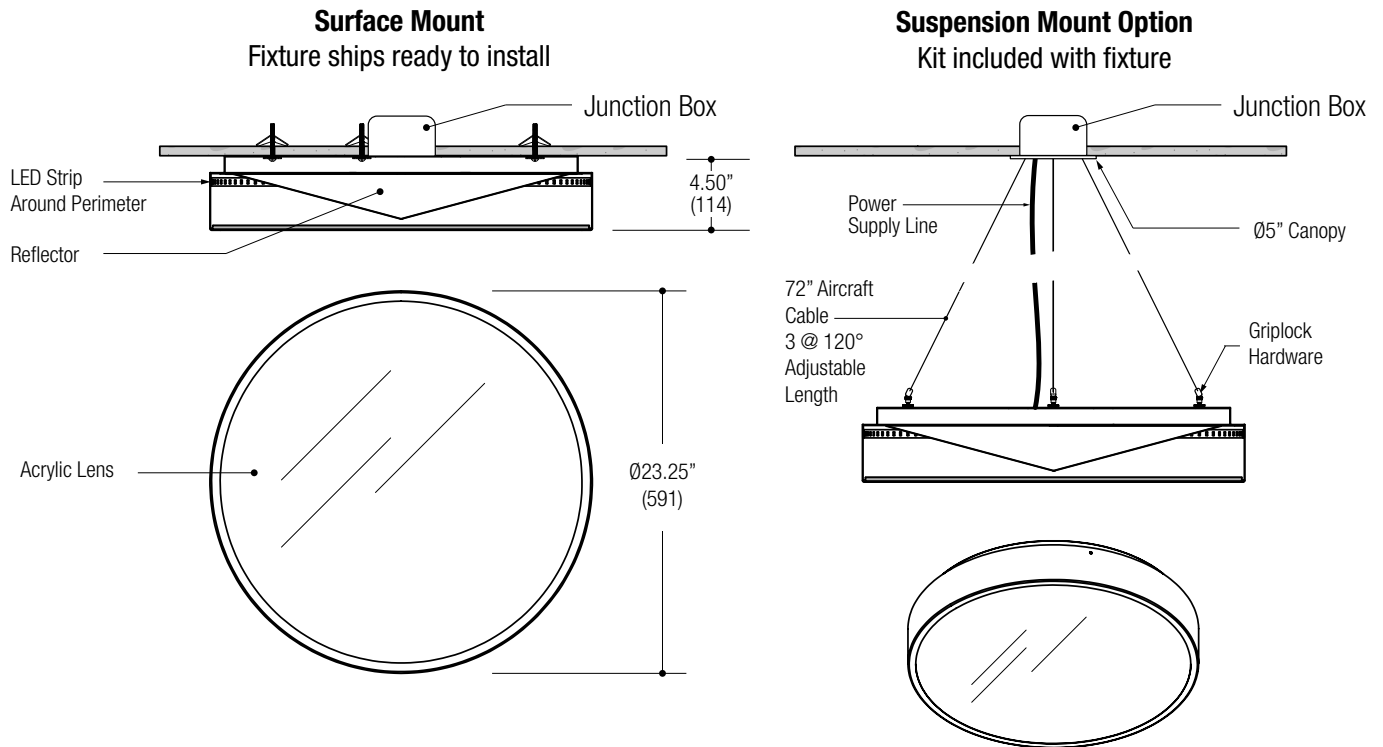


PROJECT	TYPE	CATALOG NUMBER
---------	------	----------------

Measurements in () are metric equivalents.



CONSTRUCTION

- Surface-mount or Suspended ceiling
- Ø 24" nominal sheet metal housing
- Bright white cone reflector
- Integral driver enclosure
- Powder coat finish

LED Source

- Ø74" Flex-LED strip - perimeter mounted
- 24W / 2500lm (@ 80CRI min. / 3000K) Source
- 49W / 5000lm (@ 80CRI min. / 3000K) Source
- 61W / 6200lm (@ 80CRI min. / 3000K) Source

ELECTRICAL

- Field accessible junction box wiring and power supply enclosure, access from below.
- Integral thermal protection
- Easy maintenance access

MOUNTING

- Directly to junction box.
- Suspension kit included with adjustable aircraft cables

LABELS

- Suitable for damp location



ORDERING INFO

SERIES	WATTAGE	CRI / COLOR	LENS	DRIVER	VOLTAGE	FINISH
SRF-R24 DISCUS SURFACE ROUND 24" Diameter	24L 24W LED 2500 lm source	8027 80CRI / 2700K 8030 80CRI / 3000K 8035 80CRI / 3500K	LN Satin white acrylic lens OR Orange acrylic lens	D2 0-10V Dimming (120-277V only)	1 120V U 120-277V	BB Black WW White CH Charcoal Grey
	49L 49W LED 5000 lm source	8040 80CRI / 4000K 9027 90CRI / 2700K 9030 90CRI / 3000K		D3 Lutron Hi-lume™* Forward Phase 2 wire 1% (120V only)		
	61L 61W LED 6200 lm source			D4 Lutron Hi-lume™* 3 wire 1% (120-277V only) E4 Dimmable Lutron Hi-lume™ 1% EcoSystem™ LED driver (120-277V only)		
SRF-R24						

Ordering Example: **SRF-R24-24L-8030-LN-D2-U-BB**