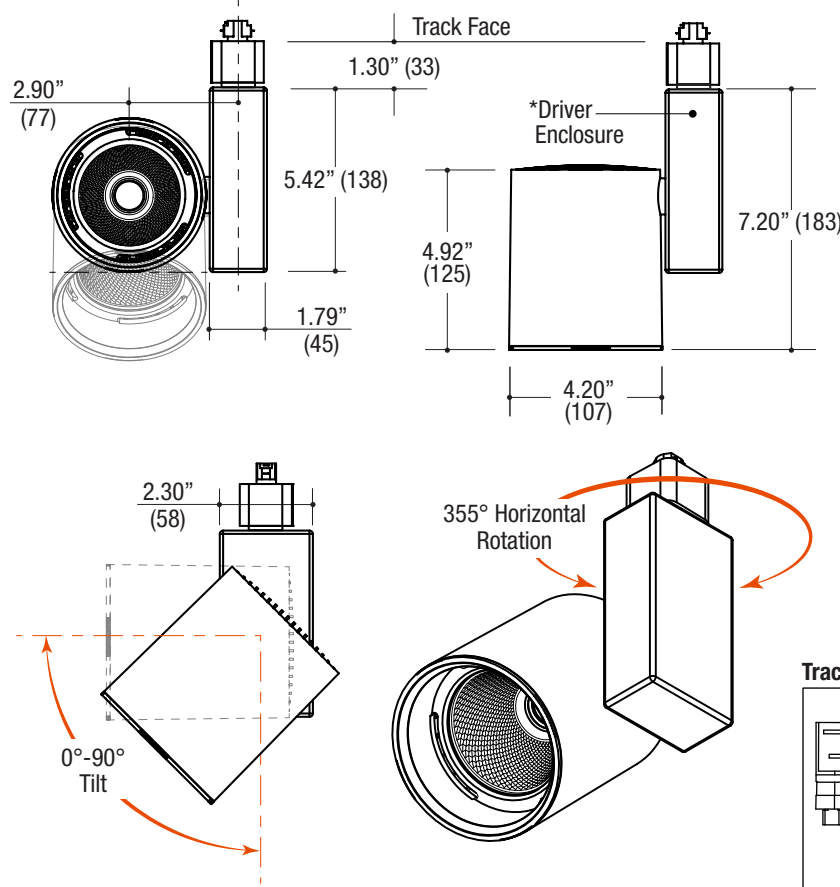


PROJECT	TYPE	CATALOG NUMBER
---------	------	----------------

Measurements in ( ) are metric equivalents.



### TRACKHEAD

- 4.20" diameter simple cylinder shaped trackhead
- 0° - 90° vertical tilting / 355° horizontal rotation
- Die cast aluminum head & power supply housing
- 99.98% pure aluminum anodized reflector
- Easy relamping via removable twist-lock front ring
- Powder coat finish

### LED SOURCE

- Field replaceable LED
- 14W / 1300lm, 80CRI / 3000K - Passive Cooling
- 20W / 2000lm, 80CRI / 3000K - Passive Cooling
- 28W / 2500lm, 80CRI / 3000K - Passive Cooling
- 35W / 3300lm, 80CRI / 3000K - Passive Cooling
- Accepts up to 2 optical accessories

### ELECTRICAL

- Integral LED driver
- Dimmable power supply available

### MOUNTING

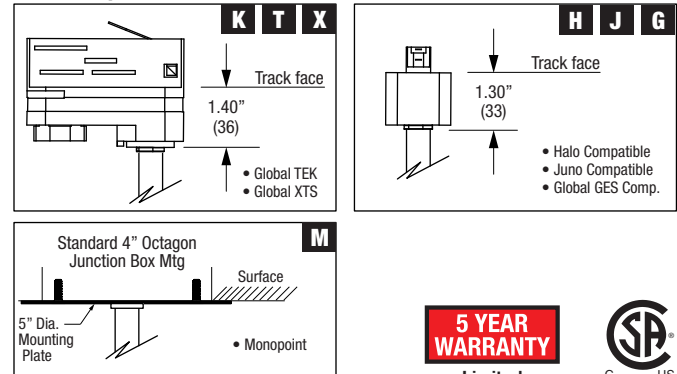
- Compatible with Halo®, Juno®, Global® track or Direct Monopoint

### LABELS

- Suitable for dry location

- Halo® is a registered trademark of Cooper Industries.
- Juno® is a registered trademark of Juno Lighting.
- Global® is a registered trademark of Nordic Aluminium.

### Track Adapters



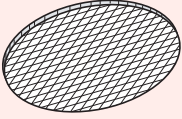
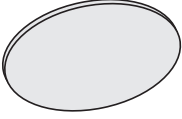
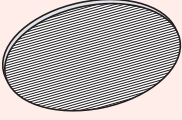
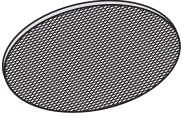
**5 YEAR WARRANTY**  
Limited



### ORDERING INFO

SERIES	ADAPTER	WATTAGE	CRI / COLOR	BEAM	POWER SUPPLY	VOLTAGE	FINISH
<b>TRA04C</b> CADEN Vertical Cylinder Trackhead Die-Cast Aluminum Adjustable Aim	<b>H</b> Halo® compatible*	<b>14C</b> 14W LED (Passive)	<b>8027</b> 80CRI / 2700K	<b>N</b> Narrow 20°	<b>LD</b> LED Driver	<b>1</b> 120V	<b>BB</b> Black
	<b>J</b> Juno® compatible*	<b>20C</b> 20W LED (Passive)	<b>8030</b> 80CRI / 3000K	<b>M</b> Medium 29°	<b>D1</b> Phase Dimming (120V only)	<b>2</b> 277V (HTEK only)	<b>WW</b> White
	<b>G</b> Global® GES compatible*	<b>28C</b> 28W LED (Passive)	<b>8035</b> 80CRI / 3500K	<b>W</b> Wide 40°	<b>D2</b> 0-10V Dim Driver (Monopoint Only)	<b>U</b> 120-277V (Monopoint only)	<b>SS</b> Silver
	<b>T</b> Global® TEK compatible	<b>35C</b> 35W LED (Passive)	<b>8040</b> 80CRI / 4000K				<b>WB</b> White housing / Black bezel
	<b>K</b> Global® HTEK compatible		<b>8050</b> 80CRI / 5000K				
	<b>X</b> Global® XTS compatible		<b>9527</b> 95CRI / 2700K				
	<b>M</b> Monopoint		<b>9530</b> 95CRI / 3000K				
			<b>9535</b> 95CRI / 3500K				
			<b>9540</b> 95CRI / 4000K				
			<b>9550</b> 95CRI / 5000K				
	* One Circuit Compatible Only						

Ordering Example: **TRA04C-H-35C-8030-N-LD-1-WW**

OPTICAL ACCESSORY	DESCRIPTION	TRACKHEADS			
		LANIE	JULIE	CADEN	JAMIE
	Hex Cell Louver	N/A	OPT-TRA19C-HXL	OPT-TRA02C-HXL	N/A
	Diffusion Lens	OPT-TRA20B-P-DFL	OPT-TRA19B-P-DFL	OPT-TRA02C-P-DFL	<b>FILM ONLY</b> OPT-TRA03B-L-DFL
	Linear Spread Lens	OPT-TRA20B-P-LSL	OPT-TRA19B-P-LSL	OPT-TRA02C-P-LSL	<b>FILM ONLY</b> OPT-TRA03B-L-LSL
	Prismatic Spread Lens	OPT-TRA20B-P-PSL	OPT-TRA19B-P-PSL	OPT-TRA02C-P-PSL	N/A

\* Other filters, colored glass, dichroics & micro-lenses available upon request