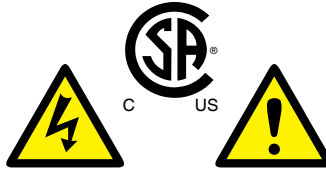


Warnings:

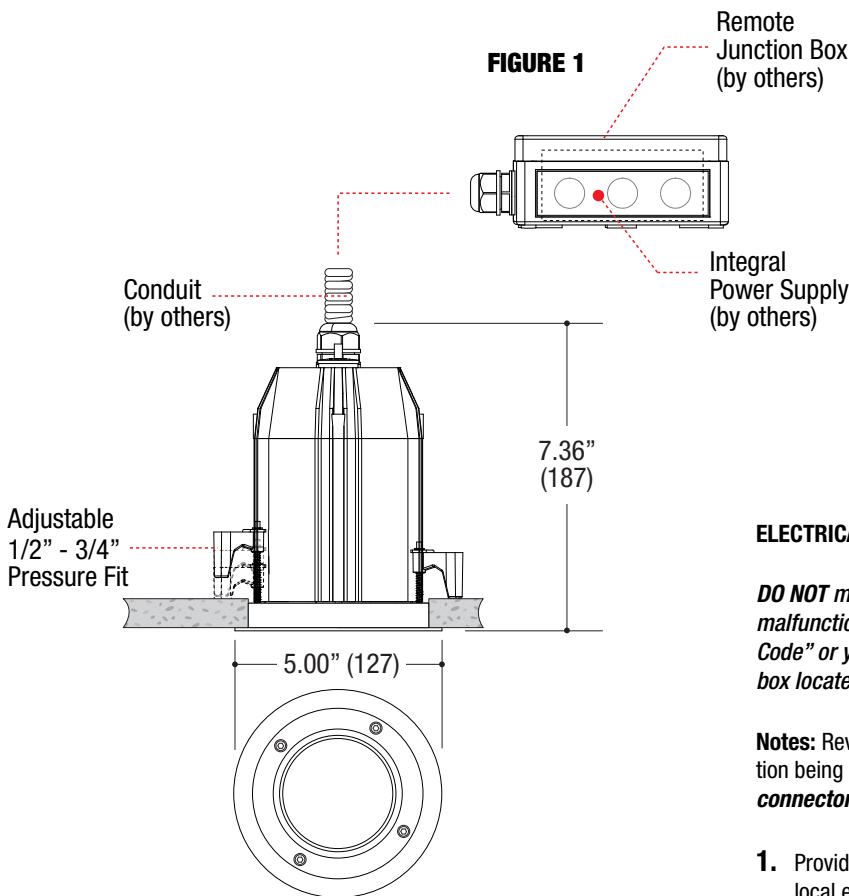
- * Risk of fire or electric shock.
- * Disconnect all power before installing or servicing.
- * Installation Instructions for qualified electricians only.
- * Install per National Electrical Code and local regulations.
- * Read Installation Instructions completely before installation.
- * Failure to follow Installation Instructions may void warranties.



THIS PRODUCT MUST BE INSTALLED IN ACCORDANCE WITH THE APPLICABLE INSTALLATION CODE BY A PERSON FAMILIAR WITH THE CONSTRUCTION AND OPERATION OF THE PRODUCT AND THE HAZARDS INVOLVED.

IMPORTANT

REMOTE JUNCTION BOX: Must be at least 5" long x 3 1/2" wide x 1 1/2" deep.
(SEE FIGURE 1)



CEILING CUT-OUT: Ø4.65" (118mm)

ELECTRICAL CONNECTION:

DO NOT modify the factory wiring settings as it may cause the luminaire to malfunction. Provide electrical service, according to the "National Electrical Code" or your local electrical code, from a suitable junction box to the wiring box located on the plaster frame.

Notes: Review fixture labeling to make sure it is rated for the voltage installation being used. **Make sure no bare wires are exposed outside the wire nut connectors.**

1. Provide electrical service according to the "National Electrical Code" or your local electrical code to the junction box (located on the plaster frame). Supply power to the luminaire from the remote LED driver box must be a Listed and Water Resistant Class 2 cable in accordance with Article 725 of the NEC.
2. Remove junction box cover.
3. Remove appropriate round knockout and connect conduit to junction box with proper connector (*not included*).
4. Place all connections and excess wiring into the junction box and replace cover.