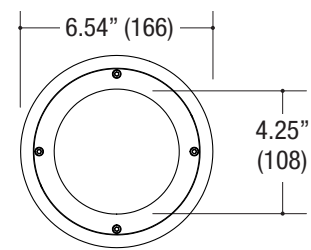
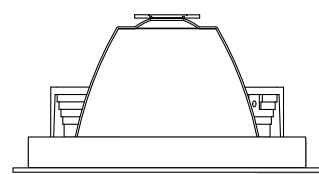
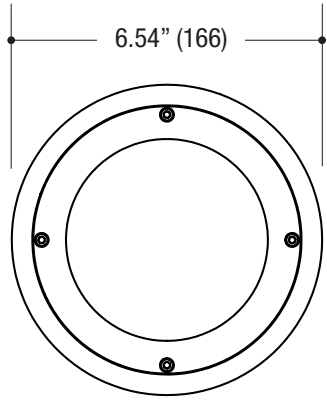
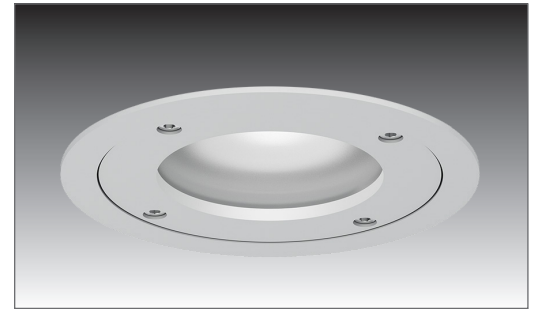
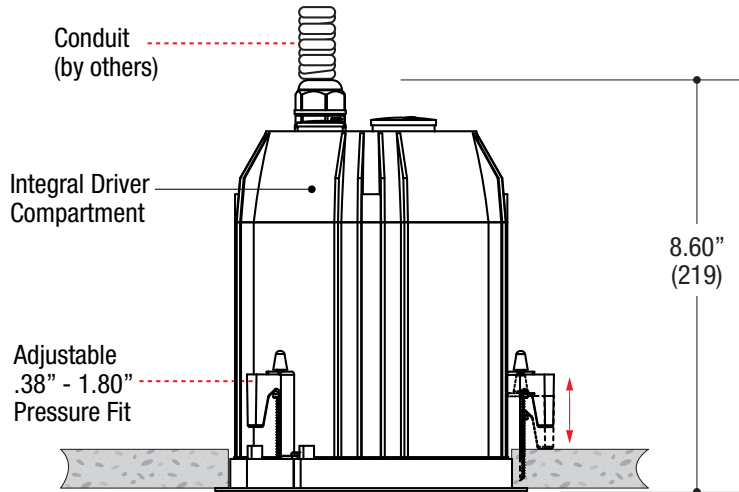


|         |      |                |
|---------|------|----------------|
| PROJECT | TYPE | CATALOG NUMBER |
|---------|------|----------------|



#### DOWNLIGHT

- Recessed fixed downlight
- Die-cast aluminum trim
- Powder coat finish

#### HOUSING

- Extruded aluminum central housing
- Powder coat finish
- Dust and water jet tight sealed
- **Ceiling Cut-Out - Ø6.20"**

#### LED SOURCE

- Field-changeable optic
- **CREE**

#### ELECTRICAL

- Integral LED driver included
- Primary wiring compartment with power supply
- Double cable entry for through wiring
- Superpure aluminum reflector
- Dimmable

#### MOUNTING

- Swing out pressure fit mounting clips
- Adjustable up to 1.80" max. ceiling thickness

#### LABELS

- Suitable for wet location
- IP66 rated



#### ORDERING INFO

| SERIES  | WATTAGE   | CRI / COLOR  | BEAM  | DRIVER / VOLTAGE   | FINISH           | OPTIONS  |
|---|---|--|---|--|------------------|--|
| <b>5911-1DA-T</b>   | <b>19C</b> 19W LED<br>2200 lm   | <b>8027</b> 80CRI / 2700K<br><b>8030</b> 80CRI / 3000K   | <b>N</b> Narrow 15°<br><b>M</b> Medium 24°<br><b>W</b> Wide 36° | <b>DMU</b> Dimming Multiple<br>Forward/Reverse Phase<br>(@ 120V only)<br>0-10V Wires Present<br>(@ 120-277V) | <b>SS</b> Silver | <b>EM</b><br>Remotely Mounted<br>Emergency LED Inverter<br>(Field wiring required) |
| <b>BULLET LARGE</b><br>Die-Cast Aluminum Trim<br>Fixed Downlight<br>Trimmed Fixture | <b>26C</b> 26W LED<br>3000 lm<br><br>Delivered lumens<br>@ 80CRI / 3000K<br>Narrow Beam | <b>8035</b> 80CRI / 3500K<br><b>8040</b> 80CRI / 4000K<br><b>9227</b> 92CRI / 2700K<br><b>9230</b> 92CRI / 3000K<br><b>9235</b> 92CRI / 3500K<br><b>9240</b> 92CRI / 4000K |   |  |                  |  |

Ordering Example: **5911-1DA-T-19C-8030-N-DMU-SS-EM**