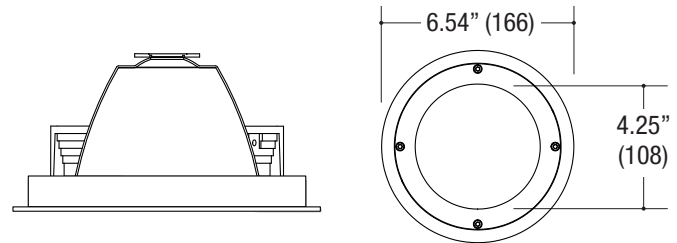
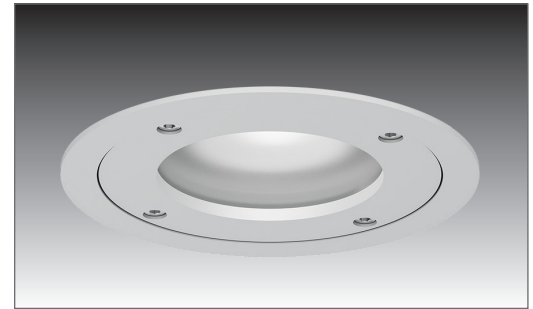
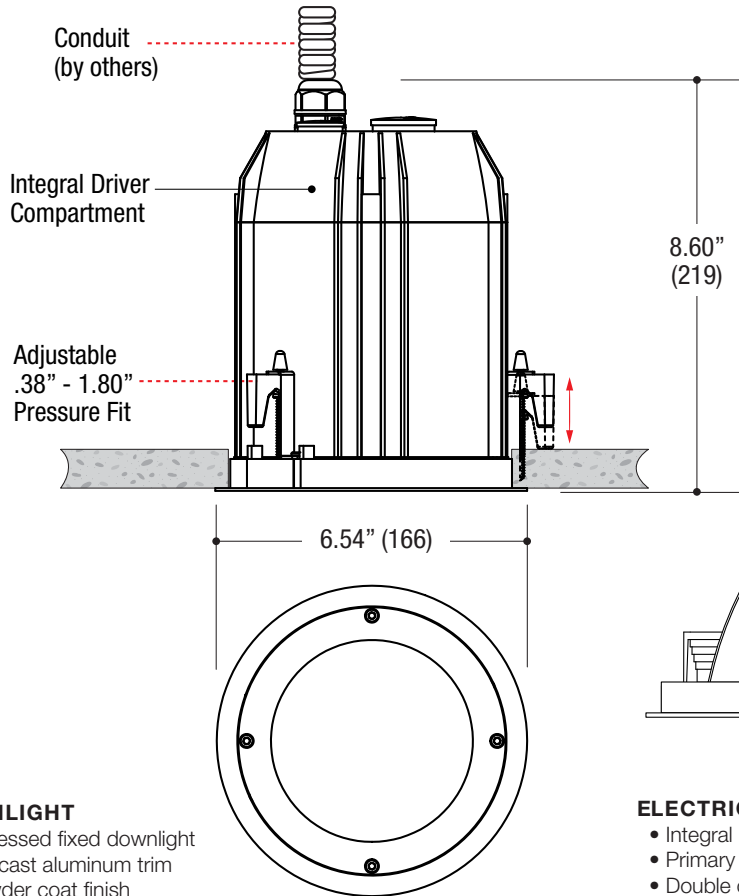


PROJECT	TYPE	CATALOG NUMBER
---------	------	----------------



DOWNLIGHT

- Recessed fixed downlight
- Die-cast aluminum trim
- Powder coat finish

HOUSING

- Extruded aluminum central housing
- Powder coat finish
- Dust and water jet tight sealed
- **Ceiling Cut-Out - Ø6.20"**

LED SOURCE

- Field-changeable optic
- 19W / 80CRI / 3000K
- 26W / 80CRI / 3000K

ELECTRICAL

- Integral LED driver included
- Primary wiring compartment with power supply
- Double cable entry for through wiring
- Superpure aluminum reflector
- Dimmable

MOUNTING

- Swing out pressure fit mounting clips
- Adjustable up to 1.80" max. ceiling thickness

LABELS

- Suitable for wet location
- IP66 rated

**5 YEAR
WARRANTY**
Limited



ORDERING INFO

SERIES	WATTAGE	CRI / COLOR	BEAM	DRIVER / VOLTAGE	FINISH	OPTIONS
5911-1DA-T BULLET LARGE Die-Cast Aluminum Trim Fixed Downlight Trimmed Fixture	19C 19W LED	8027 80CRI / 2700K 8030 80CRI / 3000K 8035 80CRI / 3500K 8040 80CRI / 4000K 9227 92CRI / 2700K 9230 92CRI / 3000K 9235 92CRI / 3500K 9240 92CRI / 4000K	N Narrow 15° M Medium 24° W Wide 36°	DMU Dimming Multiple Forward/Reverse Phase (@ 120V only) 0-10V Wires Present (@ 120-277V)	BB Black SS Silver	EM Remotely Mounted Emergency LED Inverter (Field wiring required)
	26C 26W LED					

Ordering Example: **5911-1DA-T-19C-8030-N-DMU-BB-EM**