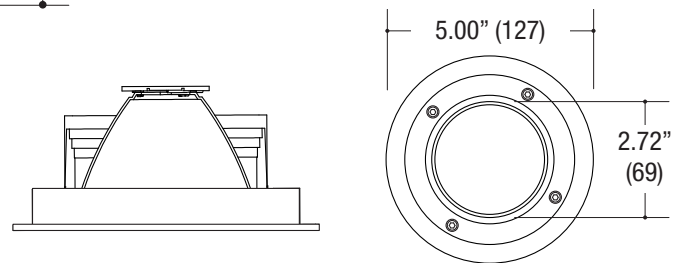
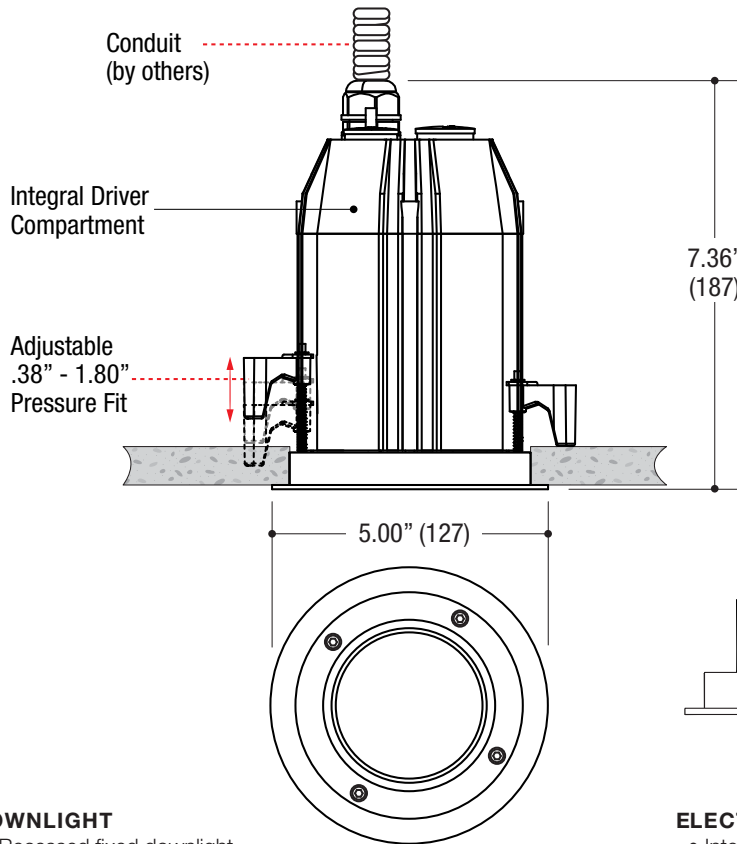


PROJECT	TYPE	CATALOG NUMBER
---------	------	----------------



DOWNLIGHT

- Recessed fixed downlight
- Die-cast aluminum trim
- Powder coat finish

HOUSING

- Extruded aluminum central housing
- Powder coat finish
- Dust and water jet tight sealed
- **Ceiling Cut-Out - Ø4.65"**

LED SOURCE

- Field-changeable optic
- **CREE**

ELECTRICAL

- Integral LED driver included
- Primary wiring compartment with power supply
- Double cable entry for through wiring
- Superpure aluminum reflector
- Dimmable

MOUNTING

- Swing out pressure fit mounting clips
- Adjustable up to 1.80" max. ceiling thickness

LABELS

- Suitable for wet location
- IP66 rated



ORDERING INFO

SERIES	WATTAGE	CRI / COLOR	BEAM	DRIVER / VOLTAGE	FINISH	OPTIONS
5911-1AA-T	08C 8W LED 1118lm	8027 80CRI / 2700K 8030 80CRI / 3000K	N Narrow 15° M Medium 36°	DMU Dimming Multiple Forward/Reverse Phase (@ 120V only) 0-10V Wires Present (@ 120-277V)	BB Black SS Silver	EM Remotely Mounted Emergency LED Inverter (Field wiring required)
BULLET MINI Die-Cast Aluminum Trim Fixed Downlight Trimmed Fixture	13C 13W LED 1505lm 19C 19W LED 2028lm Delivered lumens @ 80CRI / 3000K Narrow Beam	8035 80CRI / 3500K 8040 80CRI / 4000K 9227 92CRI / 2700K 9230 92CRI / 3000K 9235 92CRI / 3500K 9240 92CRI / 4000K	W Wide 46° V Very Wide 67°			

Ordering Example: **5911-1AA-T-19C-8030-N-DMU-BB-EM**