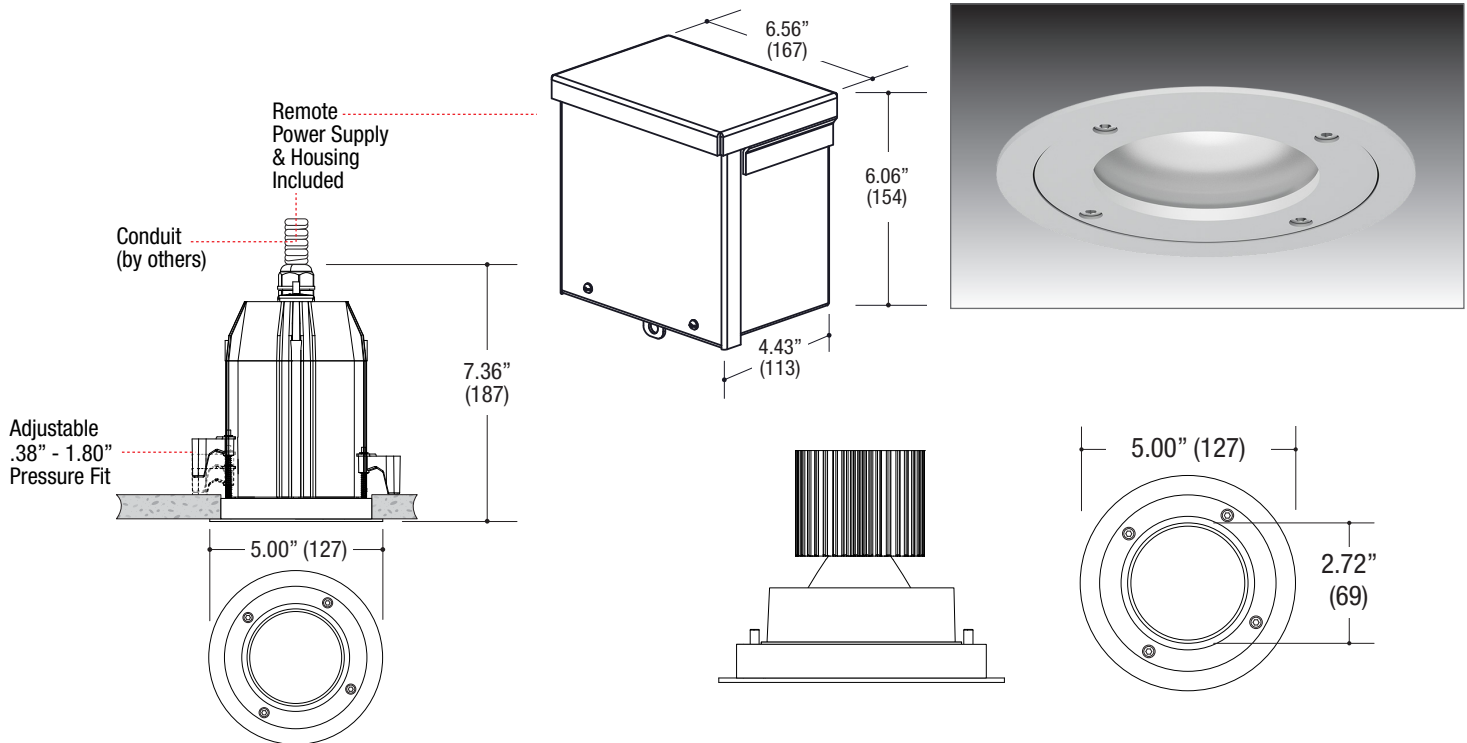


|         |      |                |
|---------|------|----------------|
| PROJECT | TYPE | CATALOG NUMBER |
|---------|------|----------------|



#### DOWNLIGHT

- Recessed fixed downlight
- Die-cast aluminum trim
- Powder coat finish

#### HOUSING

- Extruded aluminum central housing
- Powder coat finish
- Dust and water jet tight sealed
- **Ceiling Cut-Out - Ø4.65"**

#### LED SOURCE

- Field-changeable optic
- 20W / 1670lm, 80CRI / 3000K

#### ELECTRICAL

- Remotely installed LED driver included
- Separated primary wiring compartment with power supply
- Double cable entry for through wiring
- Superpure aluminum reflector
- Dimmable

#### MOUNTING

- Swing out pressure fit mounting clips
- Adjustable up to 1.80" max. ceiling thickness

#### LABELS

- Suitable for wet location
- IP66 rated

**5 YEAR WARRANTY**  
Limited



#### ORDERING INFO

| SERIES   | WATTAGE                               | CRI / COLOR  | BEAM  | DRIVER   | VOLTAGE                            | FINISH           | OPTIONS   |
|--|---------------------------------------|--|---|--|------------------------------------|------------------|---|
| <b>5811-1SA-T</b>  | <b>20L</b> 20W LED<br>1670 lm<br>nom. | <b>8027</b> 80CRI / 2700K<br><b>8030</b> 80CRI / 3000K<br><b>8035</b> 80CRI / 3500K<br><b>8040</b> 80CRI / 4000K<br><b>9027</b> 90CRI / 2700K<br><b>9030</b> 90CRI / 3000K<br><b>9727</b> 97CRI / 2700K<br><b>9730</b> 97CRI / 3000K | <b>N</b> Narrow 25°<br><b>M</b> Medium 45°<br><b>W</b> Wide 55° | <b>D1</b> Phase Dimming (120V only)<br><b>D2</b> 0-10V Dimming (120-277V only)<br><b>D3</b> Lutron Hi-lume™* Forward Phase<br>2 wire 1% (120V only)<br><b>D4</b> Lutron Hi-lume™* EcoSystem™<br>& 3 wire 1% (120-277V only)<br><b>DE</b> Lutron Hi-lume™ EcoSystem™*<br>1% w/Soft-On, Fade-to-Black™ 1%<br>(120-277V only) | <b>1</b> 120V<br><b>U</b> 120-277V | <b>SS</b> Silver | <b>EM</b><br>Remotely Mounted<br>Emergency LED<br>Inverter<br>(Field wiring required) |
| <b>BULLET Recessed</b><br>Die-Cast Aluminum Trim<br>Fixed Downlight<br>Trimmed Fixture |                                       |  |   |  |                                    |                  |   |

Ordering Example: **5811-1SA-T-20L-8030-N-D2-U-SS-EM**