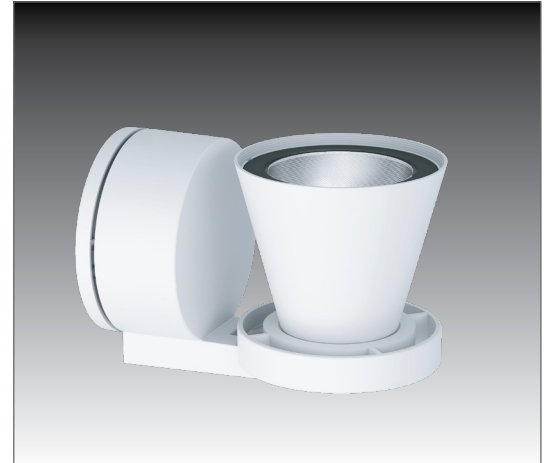
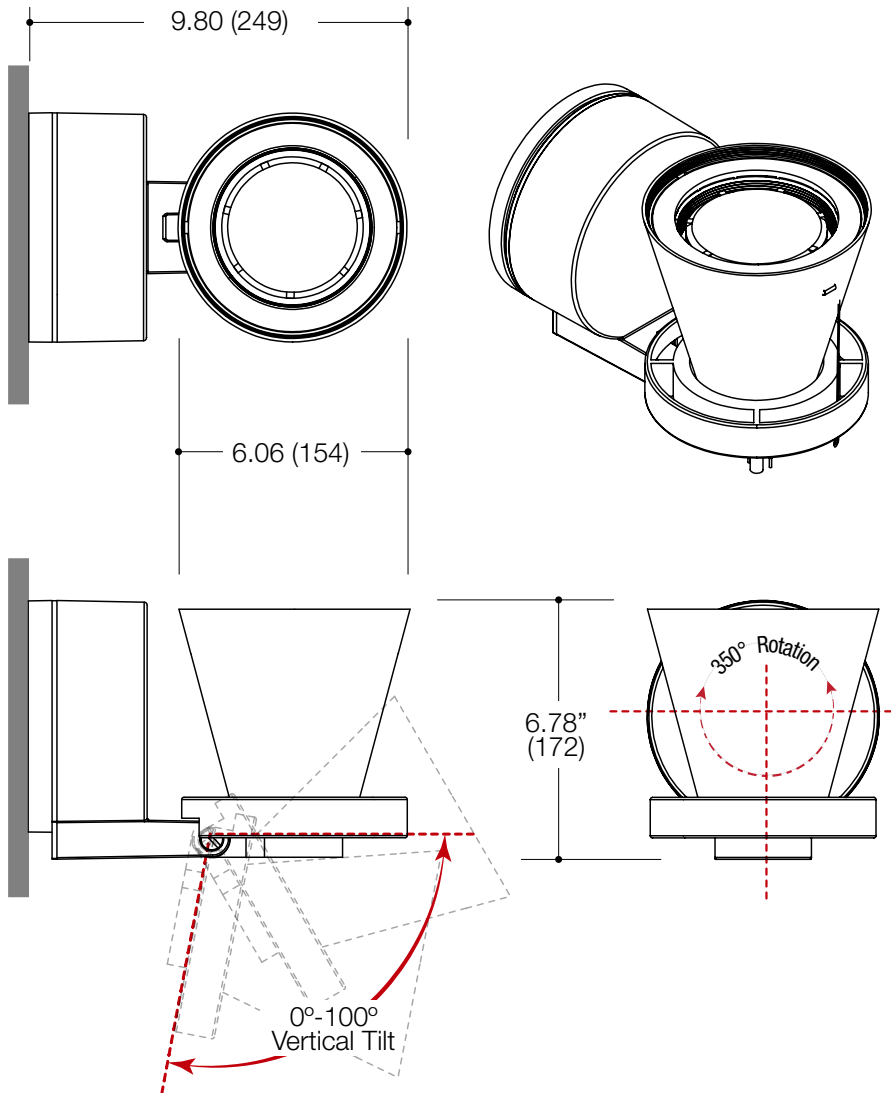


PROJECT	TYPE	CATALOG NUMBER
---------	------	----------------



WALL MOUNT

- 6.10" round cone shaped spotlight
- 0° - 100° vertical tilt aiming / 350° horizontal rotation
- Die cast aluminum head and power supply housing
- Easy relamping via snap-in catch action removable front housing
- Powder coat finish

LED SOURCE

- Field replaceable LED
- 28W / 2400lm, 80CRI / 3000K
- Optical accessories available

ELECTRICAL

- Integral LED driver
- Dimmable power supply available

MOUNTING

- Junction Box Mounting Plate
- Hardware provided.

LABELS

- Suitable for damp location



ORDERING INFO

SERIES	WATTAGE	CRI / COLOR	BEAM	DRIVER	VOLTAGE	FINISH
4721-D	28L 28W LED 2400 lm nom.	8027 80CRI / 2700K 8030 80CRI / 3000K 8035 80CRI / 3500K 8040 80CRI / 4000K 9027 90CRI / 2700K 9030 90CRI / 3000K 9727 97CRI / 2700K 9730 97CRI / 3000K	N Narrow M Medium W Wide	LD LED Driver D1 120V Phase Dimming	1 120V 2 277V	BB Black WW White
CONOS Large Wall Mount Die-Cast Aluminum Adjustable Spotlight						

Ordering Example: **4721-D-28L-8027-N-D1-1-BB**