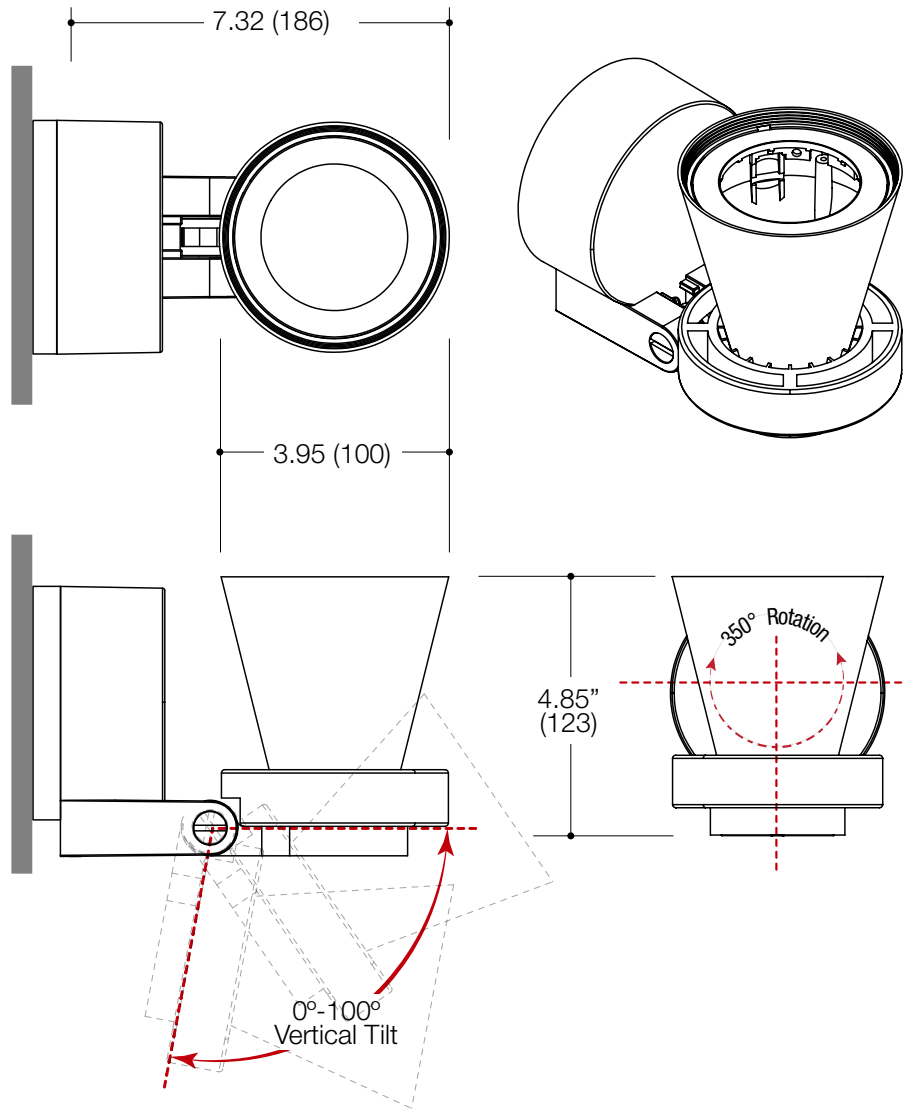


PROJECT	TYPE	CATALOG NUMBER
---------	------	----------------



WALL MOUNT

- 3.95" round cone shaped spotlight
- 0° - 100° vertical tilt aiming / 350° horizontal rotation
- Die cast aluminum head and power supply housing
- Easy relamping via snap-in catch action removable front housing
- Optical accessories available
- Powder coat finish

LAMPS (not included)

- 12V MR16 50W max - Derate Labels Available
- CMHMR16 in 20W or 39W
- LED Retrofit 15W max - Works with SORRA®

ELECTRICAL

- Integral electronic, magnetic transformer or metal halide ballast

MOUNTING

- Junction Box Mounting Plate
- Hardware provided.

LABELS

- Suitable for damp location



ORDERING INFO

SERIES	WATTAGE / LAMP	POWER SUPPLY	VOLTAGE	FINISH
4621-B CONOS Small Wall Mount Die-Cast Aluminum Adjustable Spotlight	020MR16X MR16 20W	ET Electronic Transformer	1 120V	BB Black
	035MR16X MR16 35W	MT Magnetic Transformer	2 277V	WW White
	050MR16X MR16 50W	EB Electronic Metal Halide Ballast		SS Silver
	020CM16X 20W CMHMR16 039CM16X 39W CMHMR16			
	015MR16X MR16 15W LED Retrofit			

Ordering Example: **4621-B-035MR16X-ET-1-BB**