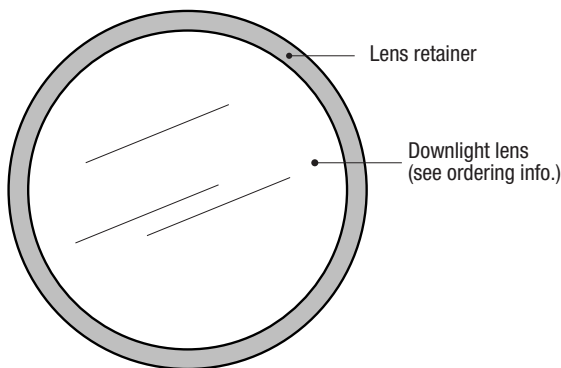
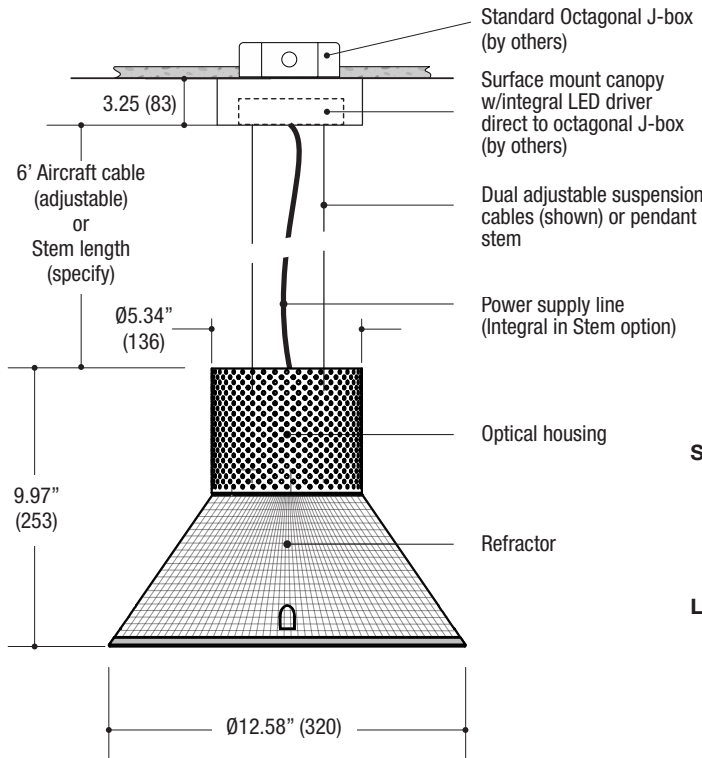


PROJECT	TYPE	CATALOG NUMBER
---------	------	----------------



SURFACE PENDANT

- 12.58" round conical area lighting
- All components with powder coat finish
- Prismatic polycarbonate outer refractor
- Optional downlight lens diffusers

LED SOURCE (Delivered Lumens)

- Field replaceable LED
- 16W / 929 lm, 90CRI
- 25W / 1394 lm, 90CRI
- 35W / 2223 lm, 90CRI
- 41W / 3318 lm, 90CRI

DIMMING FEATURES

- Cree's "TrueWhite" white light dimming provides consistent color across the entire dimming area
- Cree's "Sunset" dimming technology dims smoothly from 2700K down to 1800K, delivering rich, warm light for a traditional style of dimming

ELECTRICAL

- LED driver in canopy
- Dimmable power supply available

MOUNTING

- Surface canopy with dual aircraft cable suspension (6' cable and power supply line) adjustable
- Extruded stem with hang straight feature & integral power supply line (must specify length)

LABELS

- Suitable for damp location

ORDERING INFO

5 YEAR WARRANTY
Limited



SERIES	WATTAGE	CRI / COLOR	DOWNLIGHT LENS	DRIVER	VOLTAGE	FINISH	STEM LENGTH
4011 PENDANT MOUNT CORNETTO Prismatic Refractor Downlight lens	16M 16W LED 929 lm del.	9018 90CRI / 1800K-2700K Sunset Dimming*	NN None (lm Multiplier) 1.00	D1 Phase Dimming (120V only)	1 120V U 120-277V	BB Black SS Silver WW White XX Custom	Stem Kit Includes: - Canopy - Extruded Stem with Integral power supply line - Mtg Hardware ST12 = 12" length ST18 = 18" length ST24 = 24" length ST48 = 48" length <i>(Leave blank for 6' cable suspension option)</i>
	25M 25W LED 1394 lm del.	9027 90CRI / 2700K 9030 90CRI / 3000K 9035 90CRI / 3500K 9040 90CRI / 4000K	CL Clear (lm Multiplier) 0.98				
	35M 34W LED 2223 lm del.	*Not available in 4000lm module	PM Prismatic (lm Multiplier) 0.95				
	41M 41W LED 3318 lm del.		WD White Opal Diffuser (lm Multiplier) 0.96				
				FR Frosted Diffuser (lm Multiplier) 0.97			

Ordering Example: **4011-41M-9027-WD-D2-U-BB-ST18**